



# CoreLine Recessed Spot

## RS140B LED12-36-/830 PSR PI6 WH

CoreLine Recessed Spot, 15 W, 1200 lm, 3000 K, Analogue, Beam angle 36°, White RAL9010

CoreLine Recessed Spot is a recessed spot range designed to replace halogen-based luminaires. Its halogen-like look and attractive price make it easier for customers to make the switch to LED. This product provides a natural lighting effect for accent lighting applications, as well as instant energy savings and much longer lifetime – an environmentally friendly solution. With the push-in connectors, installation is fast and straightforward.

### Product data

General Information		Light Technical	
Light source replaceable	No	Luminous Flux	1,200 lm
Number of gear units	Unit	Correlated Colour Temperature	3000 K
Driver included	Yes	Luminous efficacy (rated) (nom.)	82 lm/W
Remarks	*- According to the Lighting Europe guidance paper 'Evaluating performance of LED based luminaires – January 2018': statistically there is no relevant difference in lumen maintenance between the B50 and, for example, the B10. Therefore, the median useful life (B50) value also represents the B10 value.	Colour rendering index (CRI)	85
Lighting Technology	LED	Beam angle of light source	36 degree(s)
Value ladder	Performance	Light source colour	830 warm white
CE mark	Yes	Optic type	Beam angle 36°
Warranty period	5 years		
Flammability mark	For mounting on normally flammable surfaces		
ENEC mark	-		
Glow-wire test	Temperature 650 °C, duration 30 s		
EU RoHS compliant	Yes		

# CoreLine Recessed Spot

Luminaire light beam spread	36°
Unified Glare Rating (CEN)	22

## Operating and Electrical

Input Voltage	220 to 240 V
Line Frequency	50 to 60 Hz
Inrush current	7 A
Inrush time	500 ms
Power Consumption	15 W
Power Factor (Fraction)	0.9
Connection	Push-in connector 6-pole
Cable	-
Number of products on MCB of 16 A type B	40

## Temperature

Ambient temperature range	0 to +35 °C
---------------------------	-------------

## Controls and Dimming

Dimmable	Yes
Driver/power unit/transformer	Power supply unit regulating
Control interface	Analogue
Constant light output	No

## Mechanical and Housing

Housing material	Aluminium die cast
Reflector material	Polycarbonate
Optic material	Polycarbonate
Optical cover/lens material	Polycarbonate
Fixation material	Stainless steel
Housing Colour	White RAL9010
Optical cover/lens finish	Clear
Overall height	59.5 mm
Overall diameter	95 mm

## Approval and Application

Ingress protection code	IP65 [Dust penetration-protected, jet-proof]
Mech. impact protection code	IK02 [0.2 J standard]
Sustainability rating	-
Protection class IEC	Safety class II

## Initial Performance (IEC Compliant)

Luminous flux tolerance	+/-10%
Initial chromaticity	(0.43, 0.40) SDCM <5
Power consumption tolerance	+/-10%

## Over Time Performance (IEC Compliant)

Control gear failure rate at median useful life 50,000 h	5 %
Lumen maintenance at median useful life* 50,000 h	L70

## Application Conditions

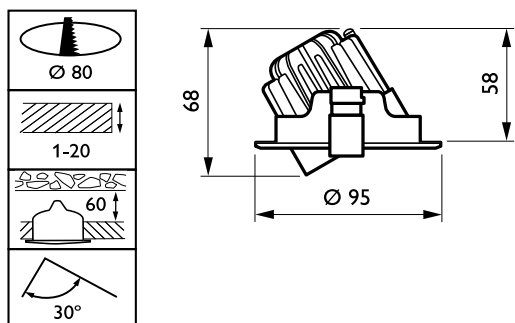
Performance ambient temperature Tq	25 °C
Maximum dim level	10%
Suitable for random switching	Yes

## Product Data

Order product name	RS140B LED12-36-/830 PSR PI6 WH
Full product name	RS140B LED12-36-/830 PSR PI6 WH
Full EOC	871869938421099
Order code	38421099
Material no. (12 NC)	912401483043
SAP numerator – quantity per pack	1
EAN/UPC – Product/Case	8718699384210
Numerator – packs per outer box	18
EAN/UPC - Case	8718699384296



## Dimensional drawing



## CoreLine Recessed Spot

