



CoreLine Recessed Spot

RS141B LED6-32-/840 PSR PI6 ALU

32° - 840 neutral white - Power supply unit regulating - Push-in connector 6-pole - Aluminum

CoreLine Recessed Spot is a recessed spot range designed to replace halogen-based luminaires. Its halogen-like look and attractive price make it easier for customers to make the switch to LED. This product provides a natural lighting effect for accent lighting applications, as well as instant energy savings and much longer lifetime – an environmentally friendly solution. With the push-in connectors, installation is fast and straightforward.

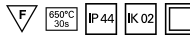
Product data

General Information		Flammability mark	
Beam angle of light source	32°		F [For mounting on normally flammable surfaces]
Light source colour	840 neutral white	CE mark	CE mark
Light source replaceable	No	ENEC mark	-
Number of gear units	1 unit	Warranty period	5 years
Driver/power unit/transformer	PSR [Power supply unit regulating]	Remarks	*-Per Lighting Europe guidance paper "Evaluating performance of LED based luminaires - January 2018": statistically there is no relevant difference in lumen maintenance between B50 and for example B10. Therefore the median useful life (B50) value also represents the B10 value.
Driver included	Yes	Constant light output	No
Optic type	32 [Beam angle 32°]	Number of products on MCB	-
Luminaire light beam spread	32°	RoHS mark	RoHS mark
Control interface	Analog		
Connection	PI6 [Push-in connector 6-pole]		
Cable	-		
Protection class IEC	Safety class II (II)		
Glow-wire test	650/30 [Temperature 650 °C, duration 30 s]		

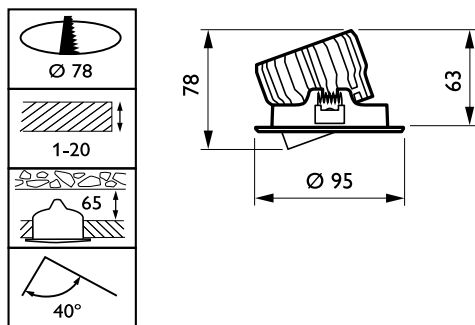
CoreLine Recessed Spot

Unified glare rating CEN	22
Operating and Electrical	
Input voltage	220 to 240 V
Input frequency	50 to 60 Hz
Inrush current	7 A
Inrush time	500 ms
Power factor (min.)	0.9
Controls and Dimming	
Dimmable	Yes
Mechanical and Housing	
Housing material	Aluminum die-cast
Reflector material	Polycarbonate
Optic material	Polycarbonate
Optical cover/lens material	Polycarbonate
Fixation material	Stainless steel
Optical cover/lens finish	Clear
Overall height	59.5 mm
Overall diameter	95 mm
Colour	Aluminum
Approval and Application	
Ingress protection code	IP44 [Wire-protected, splash-proof]
Mech. impact protection code	IK02 [0.2 J standard]
Initial Performance (IEC Compliant)	
Initial luminous flux	650 lm
Luminous flux tolerance	+/-10%

Initial LED luminaire efficacy	82 lm/W
Init. Corr. colour temperature	4000 K
Init. colour rendering index	85
Initial chromaticity	(0.38, 0.38) SDCM <5
Initial input power	8 W
Power consumption tolerance	+/-10%
Over Time Performance (IEC Compliant)	
Control gear failure rate at median useful life 50000 h	5 %
Lumen maintenance at median useful life* 50000 h	L70
Application Conditions	
Ambient temperature range	0 to +35 °C
Performance ambient temperature Tq	25 °C
Maximum dimming level	10%
Product Data	
Full product code	871869938292699
Order product name	RS141B LED6-32-/840 PSR PI6 ALU
EAN/UPC – product	8718699382926
Order code	38292699
Numerator – quantity per pack	1
Numerator – packs per outer box	18
Material no. (12NC)	912401483050
Net weight (piece)	0.290 kg



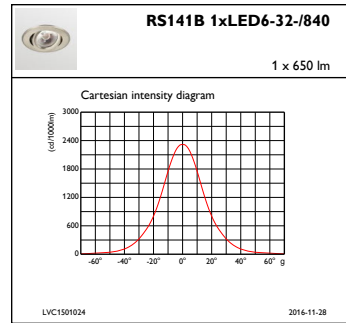
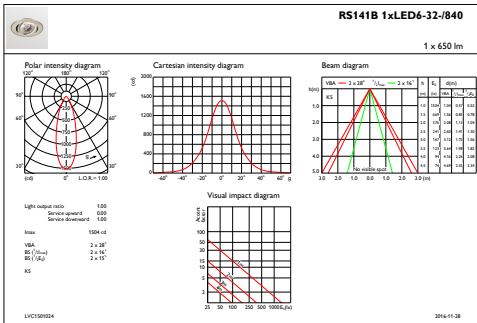
Dimensional drawing



CoreLine RS140B/RS141B

CoreLine Recessed Spot

Photometric data



IFAS1_RS141B1xLED6-32-840

IFCC1_RS141B1xLED6-32-840

