



FastSet, Surface-Mounted

SM150C LED48S/840 PSU TW3 PI5 L1160

840 neutral white - Power supply unit - Connection unit 5-pole

Upgrading to LED is a key trend in offices. Recognising the need for an easy-to-use luminaire that can work as the perfect 1:1 replacement for conventional office lighting, we developed FastSet. This luminaire is an ideal choice to quickly achieve the benefits of LED lighting, it is the perfect 1:1 replacement, no additional lighting calculation is needed prior to the LED lighting installation. The luminaire simply fits into all different indoor applications. Moreover, it is available in both standalone and through-wiring versions, which makes the luminaires ready-to-connect at a later stage. Also available with 3 hour emergency and BESA adaptor plate accessories

Product data

General Information		Flammability mark	F [For mounting on normally flammable surfaces]
Beam angle of light source	116 °	CE mark	CE mark
Light source colour	840 neutral white	ENEC mark	-
Light source replaceable	No	Warranty period	5 years
Number of gear units	1 unit	Remarks	*-Per Lighting Europe guidance paper "Evaluating performance of LED based luminaires - January 2018": statistically there is no relevant difference in lumen maintenance between B50 and for example B10. Therefore the median useful life (B50) value also represents the B10 value.
Driver/power unit/transformer	PSU [Power supply unit]	Constant light output	No
Driver included	Yes	Number of products on MCB	24
Optic type	WB [Wide beam]		
Luminaire light beam spread	100°		
Connection	Connection unit 5-pole		
Cable	-		
Protection class IEC	Safety class I		
Glow-wire test	Temperature 850 °C, duration 30 s		

FastSet, Surface-Mounted

RoHS mark	RoHS mark
Unified glare rating CEN	25

Operating and Electrical

Input voltage	220-240 V
Input frequency	50 to 60 Hz
Inrush current	8 A
Inrush time	0.06 ms
Power factor (min.)	0.9

Controls and Dimming

Dimmable	No
----------	----

Mechanical and Housing

Housing material	Metal
Reflector material	-
Optic material	Polycarbonate
Optical cover/lens material	Polycarbonate
Fixation material	Steel
Optical cover/lens finish	Opal
Overall length	1160 mm
Overall width	160 mm
Overall height	61 mm
Colour	White

Approval and Application

Ingress protection code	IP44 [Wire-protected, splash-proof]
Mech. impact protection code	IK03 [0.3 J]

Initial Performance (IEC Compliant)

Initial luminous flux	4800 lm
-----------------------	---------

Luminous flux tolerance	+/-10%
Initial LED luminaire efficacy	107 lm/W
Init. Corr. colour temperature	4000 K
Init. colour rendering index	≥80
Initial chromaticity	(0.3828, 0.3803) 5SDCM
Initial input power	45 W
Power consumption tolerance	+/-10%

Over Time Performance (IEC Compliant)

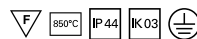
Control gear failure rate at median useful life 50000 h	5 %
Lumen maintenance at median useful life* L80 50000 h	

Application Conditions

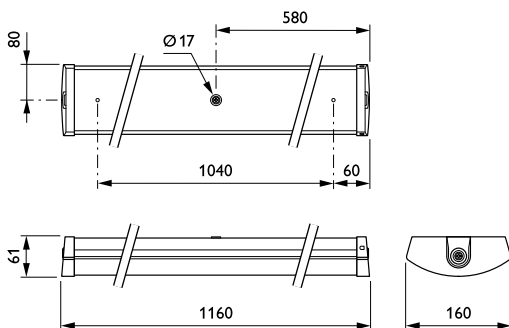
Ambient temperature range	0 to +35 °C
Performance ambient temperature Tq	25 °C
Suitable for random switching	Not applicable

Product Data

Full product code	871869938125799
Order product name	SM150C LED48S/840 PSU TW3 PI5 L1160
EAN/UPC – product	8718699381257
Order code	38125799
Numerator – quantity per pack	1
Numerator – packs per outer box	4
Material no. (12NC)	912401483057
Net weight (piece)	2.410 kg



Dimensional drawing



FastSet SM150C

FastSet, Surface-Mounted

