



FastSet, Surface-Mounted

SM150C LED48S/830 PSU TW3 PI5 L1160

830 warm white - Power supply unit - Connection unit 5-pole

Upgrading to LED is a key trend in offices. Recognising the need for an easy-to-use luminaire that can work as the perfect 1:1 replacement for conventional office lighting, we developed FastSet. This luminaire is an ideal choice to quickly achieve the benefits of LED lighting, it is the perfect 1:1 replacement, no additional lighting calculation is needed prior to the LED lighting installation. The luminaire simply fits into all different indoor applications. Moreover, it is available in both standalone and through-wiring versions, which makes the luminaires ready-to-connect at a later stage.

Product data

General Information			
Beam angle of light source	116 °	Flammability mark	F [For mounting on normally flammable surfaces]
Light source colour	830 warm white	CE mark	CE mark
Light source replaceable	No	ENEC mark	-
Number of gear units	1 unit	Warranty period	5 years
Driver/power unit/transformer	PSU [Power supply unit]	Remarks	*-Per Lighting Europe guidance paper "Evaluating performance of LED based luminaires - January 2018": statistically there is no relevant difference in lumen maintenance between B50 and for example B10. Therefore the median useful life (B50) value also represents the B10 value.
Driver included	Yes	Constant light output	No
Optic type	WB [Wide beam]	Number of products on MCB	24
Luminaire light beam spread	100°		
Connection	CU5 [Connection unit 5-pole]		
Cable	-		
Protection class IEC	Safety class I (I)		
Glow-wire test	850/30 [Temperature 850 °C, duration 30 s]		

FastSet, Surface-Mounted

RoHS mark	RoHS mark
Unified glare rating CEN	25

Operating and Electrical

Input voltage	220-240 V
Input frequency	50 to 60 Hz
Inrush current	8 A
Inrush time	0.06 ms
Power factor (min.)	0.9

Controls and Dimming

Dimmable	No
----------	----

Mechanical and Housing

Housing material	Metal
Reflector material	-
Optic material	Polycarbonate
Optical cover/lens material	Polycarbonate
Fixation material	Steel
Optical cover/lens finish	Opal
Overall length	1160 mm
Overall width	160 mm
Overall height	61 mm
Colour	White

Approval and Application

Ingress protection code	IP44 [Wire-protected, splash-proof]
Mech. impact protection code	IK03 [0.3 J]

Initial Performance (IEC Compliant)

Initial luminous flux	4800 lm
-----------------------	---------

Luminous flux tolerance	+/-10%
Initial LED luminaire efficacy	107 lm/W
Init. Corr. colour temperature	3000 K
Init. colour rendering index	≥80
Initial chromaticity	(0.4344, 0.4032) 5SDCM
Initial input power	45 W
Power consumption tolerance	+/-10%

Over Time Performance (IEC Compliant)

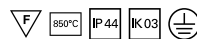
Control gear failure rate at median useful life 50000 h	5 %
Lumen maintenance at median useful life* 50000 h	L80

Application Conditions

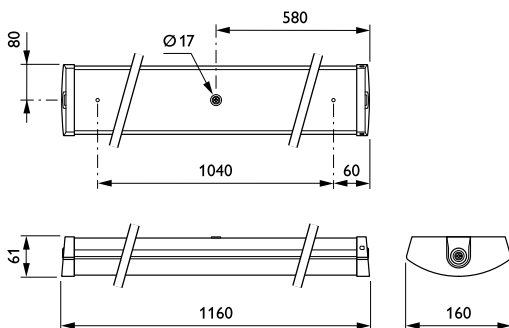
Ambient temperature range	0 to +35 °C
Performance ambient temperature Tq	25 °C
Suitable for random switching	Not applicable

Product Data

Full product code	871869938126499
Order product name	SM150C LED48S/830 PSU TW3 PI5 L1160
EAN/UPC – product	8718699381264
Order code	38126499
Numerator – quantity per pack	1
Numerator – packs per outer box	4
Material no. (12NC)	912401483058
Net weight (piece)	2.410 kg



Dimensional drawing



FastSet SM150C

FastSet, Surface-Mounted

