



FastSet, Surface Mounted

SM150C LED60S/840 PSU TW3 PI5 L1440

840 neutral white - Power supply unit - Connection unit 5-pole

Upgrading to LED is a key trend in office applications. Recognizing the need for an easy to use luminaire that can work as the perfect 1:1 replacement of conventional office lighting, we developed FastSet. This luminaire is an ideal choice to quickly achieve the benefits of LED lighting since being the perfect 1:1 replacement, no additional lighting calculation is needed prior to the LED lighting installation. The luminaire simply fits into all different indoor applications. Moreover, it is available in both standalone and through-wiring versions, which makes the luminaires ready-to-connect at a later stage.

Product data

General Information		Flammability mark	For mounting on normally flammable surfaces
Beam angle of light source	116 °	CE mark	CE mark
Light source color	840 neutral white	ENEC mark	-
Light source replaceable	No	Warranty period	5 years
Number of gear units	1 unit	Remarks	*-Per Lighting Europe guidance paper "Evaluating performance of LED based luminaires - January 2018": statistically there is no relevant difference in lumen maintenance between B50 and for example B10. Therefore the median useful life (B50) value also represents the B10 value.
Driver/power unit/transformer	Power supply unit	Constant light output	No
Driver included	Yes	Number of products on MCB of 16 A type B	24
Optic type	Wide beam		
Luminaire light beam spread	100°		
Connection	Connection unit 5-pole		
Cable	-		
Protection class IEC	Safety class I		
Glow-wire test	Temperature 850 °C, duration 30 s		

FastSet, Surface Mounted

RoHS mark	RoHS mark
Unified glare rating CEN	25

Operating and Electrical

Input Voltage	220-240 V
Input Frequency	50 to 60 Hz
Inrush current	8 A
Inrush time	0.06 ms
Power Factor (Min)	0.9

Controls and Dimming

Dimmable	No
----------	----

Mechanical and Housing

Housing Material	Metal
Reflector material	-
Optic material	Polycarbonate
Optical cover/lens material	Polycarbonate
Fixation material	Steel
Optical cover/lens finish	Opal
Overall length	1440 mm
Overall width	160 mm
Overall height	61 mm
Color	White

Approval and Application

Ingress protection code	IP44 [Wire-protected, splash-proof]
Mech. impact protection code	IK03 [0.3 J]

Initial Performance (IEC Compliant)

Initial luminous flux (system flux)	6000 lm
-------------------------------------	---------

Luminous flux tolerance	+/-10%
Initial LED luminaire efficacy	109 lm/W
Init. Corr. Color Temperature	4000 K
Init. Color Rendering Index	≥80
Initial chromaticity	(0.3828, 0.3803) 5SDCM
Initial input power	55 W
Power consumption tolerance	+/-10%

Over Time Performance (IEC Compliant)

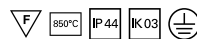
Control gear failure rate at median useful life 50000 h	5 %
Lumen maintenance at median useful life* 50000 h	L80

Application Conditions

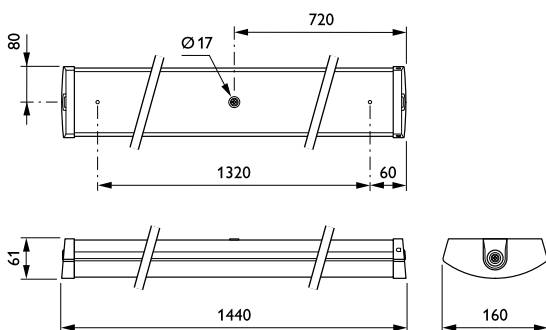
Ambient temperature range	0 to +35 °C
Performance ambient temperature Tq	25 °C
Suitable for random switching	Not applicable

Product Data

Full product code	871869938127199
Order product name	SM150C LED60S/840 PSU TW3 PI5 L1440
EAN/UPC - Product	8718699381271
Order code	912401483059
Numerator - Quantity Per Pack	1
Numerator - Packs per outer box	4
Material Nr. (12NC)	912401483059
Net Weight (Piece)	2.990 kg



Dimensional drawing



FastSet SM150C

FastSet, Surface Mounted

