



Ledinaire panel

RC065B LED34S/840 PSU W60L60 OC

Power supply unit (On/Off)

The Philips Ledinaire panel Gen4 (RC065B) range features a selection of popular off-the-shelf LED luminaires that come with Philips levels of high quality at a competitive price. Reliable, energy-efficient and affordable, this latest generation of 600 x 600 mm Ledinaire LED panel lights are designed for diffuse, comfortable lighting in a wide range of general lighting applications. Our range of Ledinaire panel lighting is also available with accessories for easy installation on different types of ceilings – just what you need

Product data

General Information	
Light source replaceable	No
Number of gear units	Unit
Driver included	Yes
Remarks	* - According to the Lighting Europe guidance paper 'Evaluating performance of LED based luminaires – January 2018': statistically there is no relevant difference in lumen maintenance between the B50 and, for example, the B10. Therefore, the median useful life (B50) value also represents the B10 value.
Lighting Technology	LED
Value ladder	Value
CE mark	Yes
Warranty period	5 years
Flammability mark	For mounting on normally flammable surfaces

ENEC mark	-
Glow-wire test	Temperature 650 °C, duration 30 s
EU RoHS compliant	Yes

Light Technical

Luminous Flux	3,400 lm
Correlated Colour Temperature	4000 K
Luminous efficacy (rated) (nom.)	90 lm/W
Colour rendering index (CRI)	≥80
Beam angle of light source	120 degree(s)
Light source colour	840 neutral white
Optic type	Beam angle 70°
Luminaire light beam spread	80°
Unified Glare Rating (CEN)	19

Operating and Electrical

Input Voltage	220-240 V
Line Frequency	50 to 60 Hz

Ledinaire panel

Initial CLO power consumption	38 W
Average CLO power consumption	38 W
Inrush current	5 A
Inrush time	0.055 ms
Power Consumption	38 W
Power Factor (Fraction)	0.9
Connection	Push-in connector 2-pole
Cable	-
Number of products on MCB of 16 A type B	40

Temperature

Ambient temperature range	+10 to +35 °C
---------------------------	---------------

Controls and Dimming

Dimmable	No
Driver/power unit/transformer	Power supply unit (On/Off)
Constant light output	No

Mechanical and Housing

Housing material	Extruded aluminium
Reflector material	-
Optic material	Polymethyl methacrylate
Optical cover/lens material	-
Fixation material	-
Housing Colour	White
Optical cover/lens finish	Textured
Overall length	597 mm
Overall width	597 mm
Overall height	39 mm
Dimensions (height x width x depth)	39 x 597 x 597 mm

Approval and Application

Ingress protection code	IP20 [Finger-protected]
-------------------------	-------------------------

Mech. impact protection code	IK02 [0.2 J standard]
Sustainability rating	-
Protection class IEC	Safety class II

Initial Performance (IEC Compliant)

Luminous flux tolerance	+/-10%
Initial chromaticity	(0.38, 0.38) SDCM <5
Power consumption tolerance	+/-10%

Over Time Performance (IEC Compliant)

Control gear failure rate at median useful life 50,000 h	7.5 %
Lumen maintenance at median useful life* 50,000 h	L70

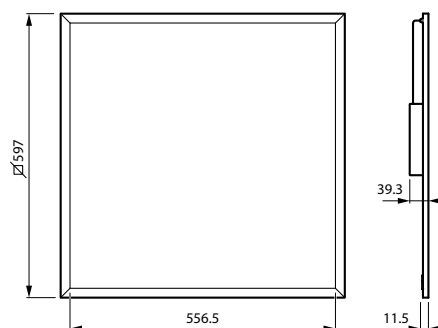
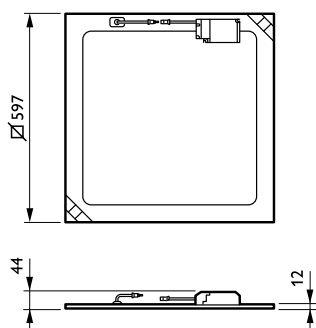
Application Conditions

Performance ambient temperature Tq	25 °C
Suitable for random switching	No

Product Data

Order product name	RC065B LED34S/840 PSU W60L60 OC
Full product name	RC065B LED34S/840 PSU W60L60 OC
Full EOC	871869938647499
Order code	38647499
Material no. (12 NC)	912401483175
SAP numerator – quantity per pack	1
EAN/UPC – Product/Case	8718699386474
Numerator – packs per outer box	4
EAN/UPC - Case	8718699386481

Dimensional drawing



Ledinaire panel

