



# CoreLine Recessed Spot

## RS143Z CFRM GRID 1x3 WH

White

CoreLine Recessed Spot is a recessed spot range designed to replace halogen-based luminaires. Its halogen-like look and attractive price make it easier for customers to make the switch to LED. This product provides a natural lighting effect for accent lighting applications, as well as instant energy savings and much longer lifetime – an environmentally friendly solution. With the push-in connectors, installation is fast and straightforward.

### Product data

General Information	
CE mark	CE mark
Material	Aluminum
Accessory color	White

Mechanical and Housing	
Overall length	292 mm
Overall width	110 mm
Overall height	53 mm
Dimensions (Height x Width x Depth)	53 x 110 x 292 mm (2.1 x 4.3 x 11.5 in)

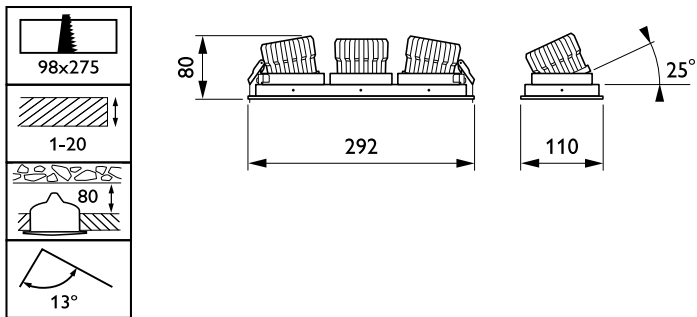
Approval and Application	
Ingress protection code	IP20 [ Finger-protected]
Mech. impact protection code	IK03 [ 0.3 J]

Product Data	
Full product code	871869938834899
Order product name	RS143Z CFRM GRID 1x3 WH
EAN/UPC - Product	8718699388348
Order code	912401483214
Numerator - Quantity Per Pack	1
Numerator - Packs per outer box	6
Material Nr. (12NC)	912401483214
Net Weight (Piece)	0.540 kg



## CoreLine Recessed Spot

### Dimensional drawing



CoreLine acc. RS140Z/RS143Z

