



CoreLine Projector

ST150T LED22S-23-/840 PSU BK

24 ° - 840 neutral white - Power supply unit - Black and black

The CoreLine Projector is designed to replace halogen and CDM-standard-based projectors for retail and hospitality applications. This track-based luminaire supports retailers to let their products stand out, or highlight certain objects. The clean design with integrated driver, and choice in 23 or 36 degree beam angle makes the CoreLine Projector relevant to many applications.

Product data

General Information	
Beam angle of light source	24 °
Light source colour	840 neutral white
Light source replaceable	No
Number of gear units	1 unit
Driver/power unit/transformer	PSU [Power supply unit]
Driver included	Yes
Optic type	24 [Beam angle 24°]
Luminaire light beam spread	24°
Control interface	-
Connection	Feed-through connector 3-pole
Cable	-
Protection class IEC	Safety class I
Glow-wire test	Temperature 650 °C, duration 5 s
Flammability mark	F [For mounting on normally flammable surfaces]
CE mark	CE mark
ENEC mark	-
Warranty period	5 years
Constant light output	No

Number of products on MCB	40
RoHS mark	RoHS mark
Operating and Electrical	
Input voltage	220-240 V
Input frequency	50 to 60 Hz
Initial CLO power consumption	- W
Average CLO power consumption	24 W
End CLO power consumption	- W
Inrush current	8.7 A
Inrush time	125 ms
Power factor (min.)	0.9
Controls and Dimming	
Dimmable	No
Mechanical and Housing	
Housing material	Aluminium
Reflector material	-
Optic material	Polycarbonate

CoreLine Projector

Optical cover/lens material	Polycarbonate
Fixation material	-
Optical cover/lens finish	Textured
Overall length	0 mm
Overall width	180 mm
Overall height	159 mm
Overall diameter	85 mm
Colour	Black and black

Approval and Application

Ingress protection code	IP20 [Finger-protected]
Mech. impact protection code	IK02 [0.2 J standard]

Initial Performance (IEC Compliant)

Initial luminous flux	2200 lm
Luminous flux tolerance	+/-10%
Initial LED luminaire efficacy	90 lm/W
Init. Corr. colour temperature	4000 K
Init. colour rendering index	>80
Initial chromaticity	(0.38, 0.38) SDCM<3
Initial input power	24 W
Power consumption tolerance	+/-10%

Over Time Performance (IEC Compliant)

Control gear failure rate at median useful life 50000 h	5 %
---	-----

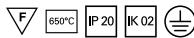
Lumen maintenance at median useful life*	L70
50000 h	

Application Conditions

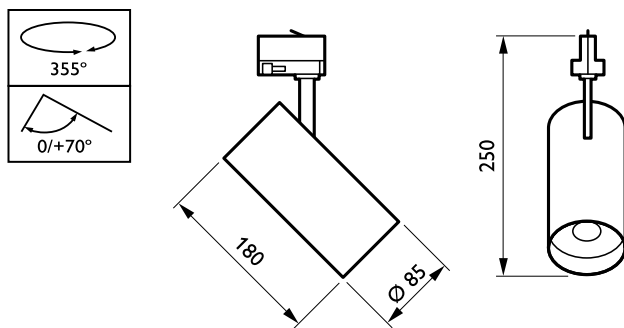
Ambient temperature range	-20 to +40 °C
Performance ambient temperature Tq	25 °C
Maximum dimming level	Not applicable
Suitable for random switching	No

Product Data

Full product code	871869979068499
Order product name	ST150T LED22S-23-/840 PSU BK
EAN/UPC – product	8718699790684
Order code	79068499
Numerator – quantity per pack	1
Numerator – packs per outer box	6
Material no. (12NC)	912401483218
Net weight (piece)	0.710 kg



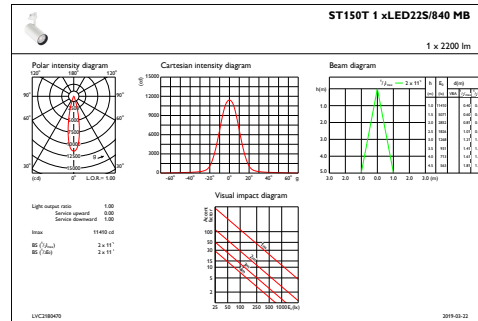
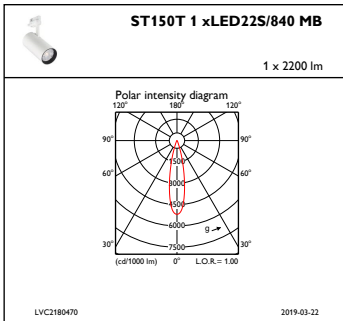
Dimensional drawing



CoreLine Projector ST150T

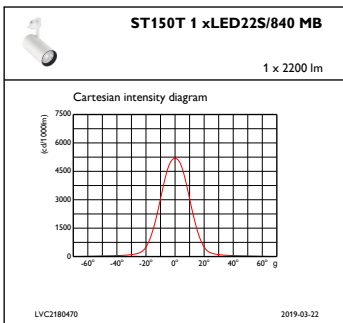
CoreLine Projector

Photometric data



IFPC1_ST150T1xLED22S840MB

IFAS1_ST150T1xLED22S840MB



IFCC1_ST150T1xLED22S840MB

