



CoreLine Projector

ST150T LED22S-36-/830 PSU BK

36 ° - 830 warm white - Power supply unit - Black and black

The CoreLine Projector is designed to replace halogen and CDM-standard-based projectors for retail and hospitality applications. This track-based luminaire supports retailers to let their products stand out, or highlight certain objects. The clean design with integrated driver, and choice in 23 or 36 degree beam angle makes the CoreLine Projector relevant to many applications.

Product data

General Information		Number of products on MCB	
Beam angle of light source	36 °		40
Light source colour	830 warm white	RoHS mark	RoHS mark
Light source replaceable	No	Operating and Electrical	
Number of gear units	1 unit	Input voltage	220-240 V
Driver/power unit/transformer	PSU [Power supply unit]	Input frequency	50 to 60 Hz
Driver included	Yes	Initial CLO power consumption	- W
Optic type	36 [Beam angle 36°]	Average CLO power consumption	24 W
Luminaire light beam spread	36°	End CLO power consumption	- W
Control interface	-	Inrush current	8.7 A
Connection	Feed-through connector 3-pole	Inrush time	125 ms
Cable	-	Power factor (min.)	0.9
Protection class IEC	Safety class I	Controls and Dimming	
Glow-wire test	Temperature 650 °C, duration 5 s	Dimmable	No
Flammability mark	F [For mounting on normally flammable surfaces]	Mechanical and Housing	
CE mark	CE mark	Housing material	Aluminium
ENEC mark	-	Reflector material	-
Warranty period	5 years	Optic material	Polycarbonate
Constant light output	No		

CoreLine Projector

Optical cover/lens material	Polycarbonate
Fixation material	-
Optical cover/lens finish	Textured
Overall length	0 mm
Overall width	180 mm
Overall height	159 mm
Overall diameter	85 mm
Colour	Black and black

Approval and Application

Ingress protection code	IP20 [Finger-protected]
Mech. impact protection code	IK02 [0.2 J standard]

Initial Performance (IEC Compliant)

Initial luminous flux	2200 lm
Luminous flux tolerance	+/-10%
Initial LED luminaire efficacy	90 lm/W
Init. Corr. colour temperature	3000 K
Init. colour rendering index	>80
Initial chromaticity	(0.43, 0.40) SDCM<3
Initial input power	24 W
Power consumption tolerance	+/-10%

Over Time Performance (IEC Compliant)

Control gear failure rate at median useful life	5 %
50000 h	

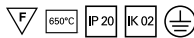
Lumen maintenance at median useful life*	L70
50000 h	

Application Conditions

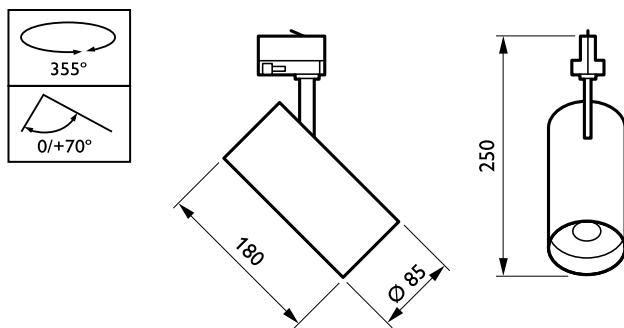
Ambient temperature range	-20 to +40 °C
Performance ambient temperature Tq	25 °C
Maximum dimming level	Not applicable
Suitable for random switching	No

Product Data

Full product code	871869979071499
Order product name	ST150T LED22S-36-/830 PSU BK
EAN/UPC – product	8718699790714
Order code	79071499
Numerator – quantity per pack	1
Numerator – packs per outer box	6
Material no. (12NC)	912401483221
Net weight (piece)	0.710 kg



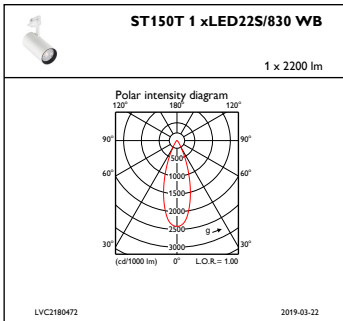
Dimensional drawing



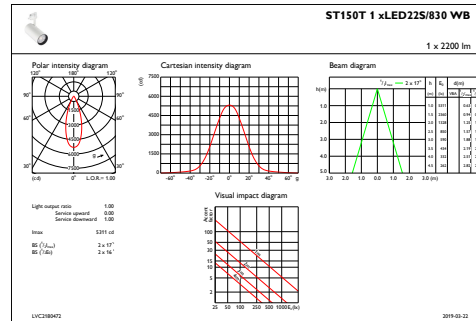
CoreLine Projector ST150T

CoreLine Projector

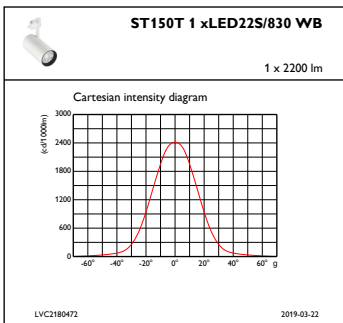
Photometric data



IFPC1_ST150T1xLED22S830WB



IFAS1_ST150T1xLED22S830WB



IFCC1_ST150T1xLED22S830WB

