



HID ignitors for series systems

SUD 10-S 220-240V 50/60HZ

Electronic ignitors for HID lamps

Product data

Operating and Electrical	
Input Voltage	220 to 240 V
Line Frequency	50 to 60 Hz
Input Frequency	50 to 60 Hz

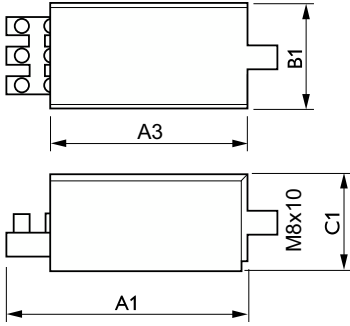
Temperature	
Ambient temperature range	-30 °C to 90 °C
T-Case Maximum (Max)	105 °C

Full product name	SUD 10-S 220-240V 50/60HZ
Full product code	871150093144330
Order code	93144330
Material Nr. (12NC)	913700195891
Numerator - Quantity Per Pack	1
EAN/UPC - Product/Case	8711500931443
Numerator - Packs per outer box	30
EAN/UPC - Case	8711500931450

Product Data	
Order product name	SUD 10-S 220-240V 50/60Hz

HID ignitors for series systems

Dimensional drawing



Product	C1	A1	A3	B1
SUD 10-S 220-240V 50/60Hz	32 mm	78 mm	62 mm	36 mm

