



HID ignitors for series systems

SUD 10-S 220-240V 50/60HZ

HID ignitors for series systems

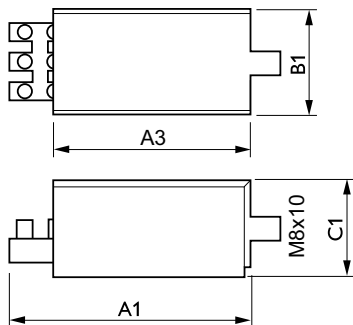
Product data

General Information	
Application code	10-S
Type version	mk1
Lamp type	SON/CDO
Number of lamps	1 piece/unit
Operating and Electrical	
Input voltage	220 to 240 V
Input frequency	50 to 60 Hz
Ignition voltage (max.)	2.3 kV
Ignition voltage (min.)	1.9 kV
Power losses (nom.)	1.0 W
Wiring	
Ballast contact wire cross section	4 mm ²
System characteristics	
Rated ballast-lamp power	50/70 W

Temperature	
T ambient (max.)	90 °C
T ambient (min.)	-30 °C
T-Case maximum (max.)	105 °C
Product Data	
Full product code	871150093144330
Order product name	SUD 10-S 220-240V 50/60Hz
EAN/UPC – product	8711500931443
Order code	93144330
Local Code	SUD10S
Numerator – quantity per pack	1
Numerator – packs per outer box	30
Material no. (12NC)	913700195891
Net weight (piece)	0.150 kg

HID ignitors for series systems

Dimensional drawing



SUD 10-S 220-240V 50/60Hz

Product	C1	A1	A3	B1
SUD 10-S 220-240V 50/60Hz	32 mm	78 mm	62 mm	36 mm

