



HID ignitors for series systems

SUD 10-S 220-240V 50/60Hz

HID ignitors for series systems

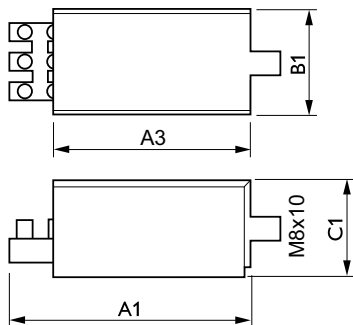
Product data

General Information	
Application Code	10-S
Type Version	mk1
Lamp Type	SON/CDO
Number of Lamps	1 piece/unit
Operating and Electrical	
Input Voltage	220 to 240 V
Input Frequency	50 to 60 Hz
Ignition Voltage (Max)	2.3 kV
Ignition Voltage (Min)	1.9 kV
Power Losses (Nom)	1.0 W
Wiring	
Ballast Contact Wire Cross Section	4 mm ²
System characteristics	
Rated Ballast-Lamp Power	50/70 W

Temperature	
T-Ambient (Max)	90 °C
T-Ambient (Min)	-30 °C
T-Case Maximum (Max)	105 °C
Product Data	
Full product code	871150093144330
Order product name	SUD 10-S 220-240V 50/60Hz
EAN/UPC - Product	8711500931443
Order code	913700195891
Numerator - Quantity Per Pack	1
Numerator - Packs per outer box	30
Material Nr. (12NC)	913700195891
Net Weight (Piece)	0.150 kg

HID ignitors for series systems

Dimensional drawing



SUD 10-S 220-240V 50/60Hz

Product	C1	A1	A3	B1
SUD 10-S 220-240V 50/60Hz	32 mm	78 mm	62 mm	36 mm

