

HID-HeavyDuty BSN semi-parallel for SON/CDO/MH/HPI

BSN 70 L34-TS 240V 50Hz HD1-118

Encapsulated electromagnetic copper/iron ballasts for use with an external semi-parallel ignitor for CDM, CDO, MH, HPI (Plus) and SON lamps

Product data

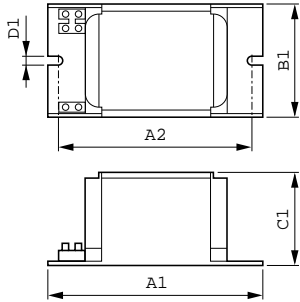
| General Information | | Connector type | Screw |
|---|---------------------------|---------------------------------|---|
| Application code | L34-A2-TS | System characteristics | |
| Design | HD1-118 | Capacitor | 12µF/250V |
| Lamp type | SON/CDO | Rated ballast-lamp power | 70 W |
| Number of lamps | 1 piece/unit | Recommended ignitor | for SON/CDO lamps SND57 (913700184966) or series digital SUD10 (913700195891) |
| Operating and Electrical | | Temperature | |
| Input voltage | 240 V | T storage (max.) | 130 °C |
| Input frequency | 50 Hz | T storage (min.) | -30 °C |
| Power factor 100% load (nom.) | 0.87 | T winding (max.) | 130 °C |
| Mains voltage performance (AC) | -8%+6% | Delta-T normal conditions | 55 °C |
| Mains voltage safety (AC) | -10%+10% | Approval and Application | |
| Input current with PF correction | 0.45 A | Active temperature protection | Yes |
| Input current without PF Correction | 1.00 A | Approval marks | CE marking ENEC certificate |
| Power factor without PF compensation (nom.) | 0.35 | | |
| Power losses (nom.) | 11.5 W | | |
| Wiring | | | |
| Wire strip length | 7.0 mm | | |
| Ballast contact wire cross section | 0.70-6.00 mm ² | | |

HID-HeavyDuty BSN semi-parallel for SON/CDO/MH/HPI

| Product Data | |
|-------------------------------|------------------------------------|
| Full product code | 871150005970331 |
| Order product name | BSN 70 L34-A2-TS 240V 50Hz HD1-118 |
| EAN/UPC – product | 8711500059703 |
| Order code | 05970331 |
| Numerator – quantity per pack | 1 |

| | |
|---------------------------------|--------------|
| Numerator – packs per outer box | 6 |
| Material no. (12NC) | 913700226626 |
| Net weight (piece) | 1.280 kg |

Dimensional drawing



| Product | D1 | C1 | A1 | A2 | B1 |
|---------------------------------------|--------|---------|----------|----------|---------|
| BSN 70 L34-A2-TS 240V 50Hz HD1-118 | 6.2 mm | 53.0 mm | 118.0 mm | 103.0 mm | 65.0 mm |

BSN 70 L34-TS 240V 50Hz HD1-118

