



HID-Basic BSN/BMH MK4 semi-parallel for SON/CDO/CDM/MH/ HPI

BSN 400 K407-ITS 230/240V 50Hz BC3-166

Impregnated electromagnetic copper ballasts for use with an external semi-parallel ignitor for CDM, CDO, MH, HPI (Plus) and SON lamps

Product data

General Information	
Application Code	K407-A2-ITS
Design	BC3-166
Lamp Type	SON/HPI
Number of Lamps	1 piece/unit
Operating and Electrical	
Input Voltage	230 V (default) or 240 V
Input Frequency	50 Hz
Power Factor 100% Load (Nom)	0.85
Mains Voltage Performance (AC)	-8%~+6%
Mains Voltage Safety (AC)	-10%~+10%
Input Current with PF Correction	2.20 A
Input Current without PF Correction	4.45 A
Power Factor without PF Compensation (Nom)	0.40

Power Losses (Nom)	33/34.5 W
Wiring	
Wire Striplength	7.0 mm
Ballast Contact Wire Cross Section	1.50-4.00 mm ²
Connector Type	Screw
System characteristics	
Capacitor	45µF/250V
Rated Ballast-Lamp Power	400 W
Recommended Ignitor	for SON/CDO/CDM lamps ignitor SKD 578 (913700655366) or series digital SUD40 (913700193591)
Temperature	
T-Storage (Max)	130 °C
T-Storage (Min)	-30 °C

HID-Basic BSN/BMH MK4 semi-parallel for SON/CDO/CDM/MH/HPI

T-Winding (Max)	130 °C
Delta-T Normal Conditions	80 °C

Approval and Application

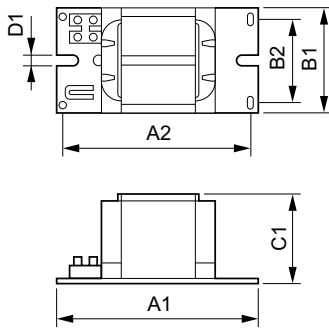
Active Temperature Protection	Yes
Approval Marks	CE marking ENEC certificate

Product Data

Full product code	872790088704400
Order product name	BSN 400 K407-A2-ITS 230/240V 50Hz BC3

EAN/UPC - Product	8711500881571
Order code	88704400
Numerator - Quantity Per Pack	1
Numerator - Packs per outer box	2
Material Nr. (12NC)	913700277826
Net Weight (Piece)	4.950 kg

Dimensional drawing



Product	D1	C1	A1	A2	B1	B2
BSN 400 K407-A2-	6.5 mm	83.0	166.0	145.0	97.0	78.5
ITS 230/240V 50Hz		mm	mm	mm	mm	mm
BC3						

BSN 400 K407-ITS 230/240V 50Hz BC3-166

