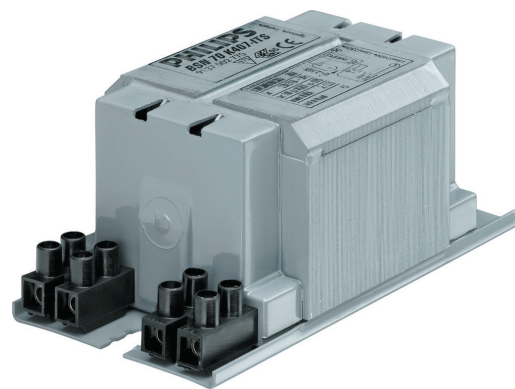


PHILIPS

Lighting



HID-Basic BSN/BMH MK4 semi-parallel for SON/CDO/CDM/MH/ HPI

BSN 70 K301-ITS 220V 60Hz BC1-118

Impregnated electromagnetic copper ballasts for use with an external semi-parallel ignitor for CDM, CDO, MH, HPI (Plus) and SON lamps

Product data

General Information	
Application code	K301-ITS
Design	BC1-118
Lamp type	SON
Number of lamps	1 piece/unit

Operating and Electrical	
Input voltage	220 V
Input frequency	60 Hz
Power factor 100% load (nom.)	0.85
Mains voltage performance (AC)	-8%~+6%
Mains voltage safety (AC)	-10%~+10%
Input current with PF correction	0.45 A
Input current without PF Correction	0.60 A
Power factor without PF compensation (nom.)	0.40
Power losses (nom.)	12.2 W

Wiring	
Wire strip length	7.0 mm
Ballast contact wire cross section	2.5 mm ²
Connector type	Screw

System characteristics	
Capacitor	12µF/250V
Rated ballast-lamp power	70 W
Recommended ignitor	for SON/CDO/CDM lamps ignitor SKD 578 (913700655366)

Temperature	
T storage (max.)	130 °C
T storage (min.)	-30 °C
T winding (max.)	140 °C
Delta-T normal conditions	80 °C

HID-Basic BSN/BMH MK4 semi-parallel for SON/CDO/CDM/MH/HPI

Approval and Application

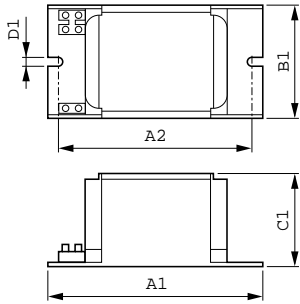
Active temperature protection	Yes
Approval marks	CE marking

Product Data

Full product code	871829117724100
Order product name	BSN 70 K301-ITS 220V 60Hz BC1-118
EAN/UPC – product	8718291177241

Order code	17724100
Numerator – quantity per pack	1
Numerator – packs per outer box	6
Material no. (12NC)	913700293026
Net weight (piece)	0.930 kg

Dimensional drawing



BSN 70 K301-ITS BC1-118

Product	D1	C1	A1	A2	B1
BSN 70 K301-ITS 220V 60Hz BC1-118	6.2 mm	52.0 mm	118.0 mm	94.0 mm	61.0 mm

