



# Luminaire Based Accessories

## LRM8119/00 Lum Based Ext Sensor 100cm

Compact luminaire based movement detector to be used to expand the detection area for ActiLume and ActiLume DALI solutions.

Compact luminaire based movement detector to be used to expand the detection area for ActiLume and ActiLume DALI solutions.

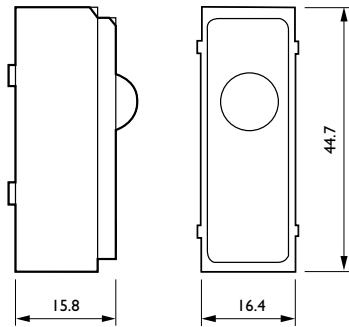
### Product data

Product Data	
Full product code	871829113946100
Order product name	LRM8119/00 Lum Based Ext Sensor 100cm
EAN/UPC - Product	8718291139461
Order code	913700343703
Numerator - Quantity Per Pack	1

Numerator - Packs per outer box	12
Material Nr. (12NC)	913700343703
Net Weight (Piece)	0.030 kg

## Luminaire Based Accessories

### Dimensional drawing



#### Product

LRM8119/00 Lum Based Ext Sensor 100cm

LRM8119/00 LUM BASED EXT SENSOR 100CM

