

ActiLume MicroLuxSense

LRL1222/10 ActiLume MicroLuxSense

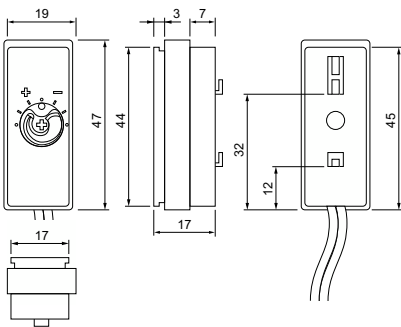
ActiLume MicroLuxSense is connected to the 1-10 V DC control input of the HFR ballast. ActiLume MicroLuxSense dims light down close to the minimum level of the ballast. ActiLume MicroLuxSense is calibrated for use in a standard office situation with 600 lux installed and 500 lux required.

Product data

Product Data	
Order product name	LRL1222/10 ActiLume MicroLuxSense
Full product name	LRL1222/10 ActiLume MicroLuxSense
Full product code	871829115238500
Order code	913700346403
Material Nr. (12NC)	913700346403

Numerator - Quantity Per Pack	1
EAN/UPC - Product/Case	8718291152385
Numerator - Packs per outer box	1
EAN/UPC - Case	8718291152392

Dimensional drawing

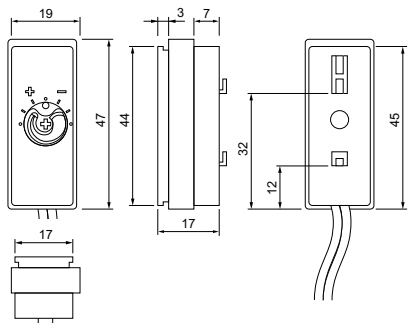


Product

LRL1222/10 ActiLume MicroLuxSense

ActiLume MicroLuxSense

Dimensional drawing



Product

LRL1222/10 ActiLume MicroLuxSense

