



# ActiLume Wireless

## LLC1681/10 ActiLume Wireless 1-10V SB

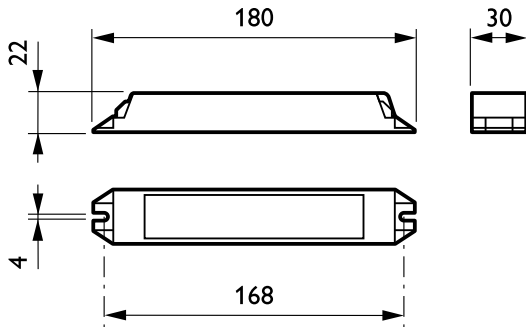
The ActiLume Wireless 1-10 V system can work together with OccuSwitch Wireless devices. Wireless luminaires with the ActiLume Wireless 1-10 V system share occupancy information and switch off when all sensors detect no presence. The ActiLume 1-10 V sensor offers daylight savings to the connected wireless Switch Boxes. This daylight regulation is not shared over the wireless network. Within a wireless network it is possible to create various zones with wireless devices. Scenes can be created across these zones, and these can then be recalled using the wireless remote control.

### Product data

General Information		Local Code	
Design	ActiLume Wireless 1-10V SwitchBox	Local Code	LLC168100AW
Product Data		Numerator – quantity per pack	1
Full product code	871829124593300	Numerator – packs per outer box	12
Order product name	LLC1681/10 ActiLume Wireless 1-10V SB	Material no. (12NC)	913700348603
EAN/UPC – product	8718291245933	Net weight (piece)	0.070 kg
Order code	24593300		

## ActiLume Wireless

### Dimensional drawing



#### Product

LLC1681/10 ActiLume Wireless 1-10V SB

LLC1681/10 ActiLume Wireless 1-10V SB

