

# Luminaire Based Accessoires

## LCA8005/00 ActiLume Mounting Clip 50pce

Clip to be used for ActiLume multisensor, ActiLume Luminaire based extension sensor, ActiLume 1-10V sensor and the ActiLume MicroLuxSense. With this clip the sensor can be mounted in the luminaire housing.

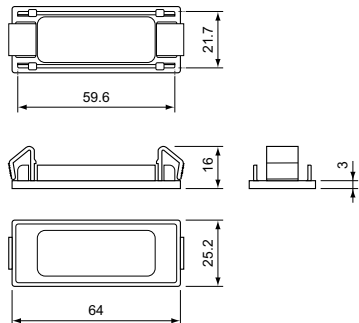
Clip to be used for ActiLume multisensor, ActiLume Luminaire based extension sensor, ActiLume 1-10V sensor and the ActiLume MicroLuxSense. With this clip the sensor can be mounted in the luminaire housing.

### Product data

Product Data		Numerator – packs per outer box	
Full product code	871829119624200		41
Order product name	LCA8005/00 ActiLume Mounting Clip 50pce	Material no. (12NC)	913700348803
EAN/UPC – product	8718291196259	Net weight (piece)	4.600 g
Order code	19624200		
Numerator – quantity per pack	1		

## Luminaire Based Accessoires

### Dimensional drawing



#### Product

LCA8005/00 ActiLume Mounting Clip 50pce

LCA8005/00 ActiLume Mounting clip 50pce

