

# Starsense Wireless

## LLC7340/01 Starsense Wireless 1-10V/DALI

Starsense Wireless is a networked controls system based on two-way wireless communication using the latest in mesh network technology. The system enables individual light points to be controlled remotely and to be managed via online platforms. Lighting operators can control remotely the outdoor lighting infrastructure setting dimming levels to achieve considerable energy savings and can get real time feedback from the luminaires reducing operating and maintenance costs via accurate scheduling of on-site maintenance service tasks, while improving both the quality and reliability of outdoor lighting.

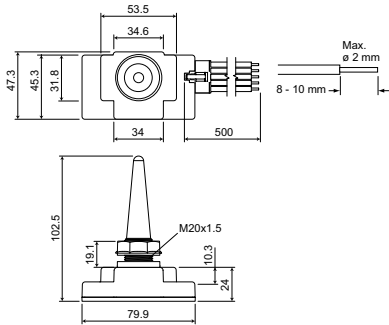
### Product data

Product Data	
Full product code	871829123463000
Order product name	LLC7340/01 Starsense Wireless 1-10V/DALI
EAN/UPC - Product	8718291234630
Order code	913700349803
Numerator - Quantity Per Pack	1

Numerator - Packs per outer box	24
Material Nr. (12NC)	913700349803
Net Weight (Piece)	0.120 kg

# Starsense Wireless

## Dimensional drawing



Starsense Wireless

