

ActiLume MicroLuxSense

LRL1222/15 ActiLume MicroluxSense W

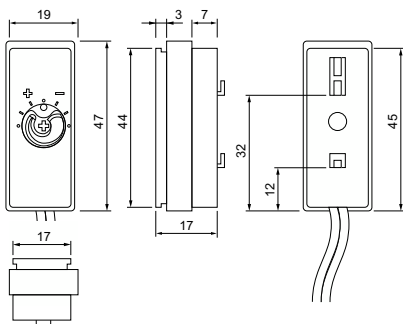
ActiLume MicroLuxSense is connected to the 1-10 V DC control input of the HFR ballast. ActiLume MicroLuxSense dims light down close to the minimum level of the ballast. ActiLume MicroLuxSense is calibrated for use in a standard office situation with 600 lux installed and 500 lux required.

Product data

Product Data	
Order product name	LRL1222/15 ActiLume MicroluxSense W
Full product name	LRL1222/15 ActiLume MicroluxSense W
Full product code	871829175225700
Local code description	LRL1222/15
Order code	913700354803
Material Nr. (12NC)	913700354803

Local order code	.
Numerator - Quantity Per Pack	1
EAN/UPC - Product/Case	8718291752257
Numerator - Packs per outer box	12
EAN/UPC - Case	8718291752264

Dimensional drawing



Product

LRL1222/15 ActiLume MicroluxSense W

ActiLume MicroLuxSense

Dimensional drawing

