



# Luminaire Based Accessoires

## LCA8005/05 ActiLume Mounting Clip 50 W

White clip to be used for ActiLume multisensor, ActiLume Luminaire based extension sensor, ActiLume 1-10V sensor and the ActiLume MicroLuxSense. With this clip the sensor can be mounted in the luminaire housing.

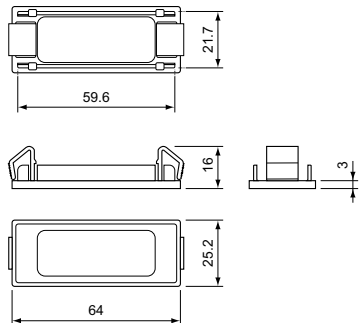
White clip to be used for ActiLume multisensor, ActiLume Luminaire based extension sensor, ActiLume 1-10V sensor and the ActiLume MicroLuxSense. With this clip the sensor can be mounted in the luminaire housing.

### Product data

Product Data		Numerator – packs per outer box	
Full product code	871829171963200		41
Order product name	LCA8005/05 ActiLume Mounting Clip 50 W	Material no. (12NC)	913700355103
EAN/UPC – product	8718291719649	Net weight (piece)	4.600 g
Order code	913700355103		
Numerator – quantity per pack	1		

## Luminaire Based Accessoires

### Dimensional drawing



#### Product

LCA8005/05 ActiLume Mounting Clip 50 W

LCA8005/05 ActiLume Mounting Clip 50 W

