



# Luminaire Based Accessories

## LCA8005/05 ActiLume Mounting Clip 50 W

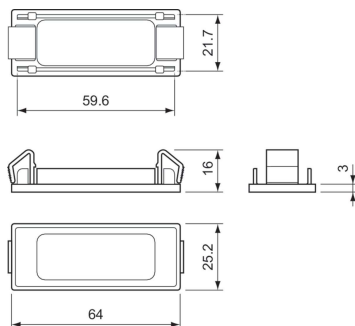
Luminaire Based Accessories cover a generic range of products which can be used to extend functionality and/or simplify the design-in of our luminaire based systems.

### Product data

Product Data	
Order product name	LCA8005/05 ActiLume Mounting Clip 50 W
Full product name	LCA8005/05 ActiLume Mounting Clip 50 W
Full product code	871829171963200
Order code	913700355103
Material Nr. (12NC)	913700355103

Numerator - Quantity Per Pack	1
EAN/UPC - Product/Case	8718291719632
Numerator - Packs per outer box	41
EAN/UPC - Case	8718291719649

### Dimensional drawing



Product
LCA8005/05 ActiLume Mounting Clip 50 W