



ActiLume DALI

LRI1663/00 ActiLume gen2 Multi-Sensor

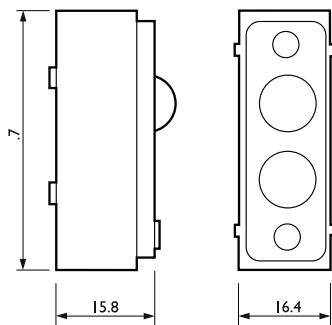
The Philips ActiLume DALI lighting control system consists of a small, lightweight sensor and controller, designed for easy integration into luminaires. ActiLume is a true Plug and Play solution for open plan or cell offices. It is used in a master/slave luminaire concept, easy to use and easy to install. Application brochures are available to help specify and apply the system in an optimal way.

Product data

Product Data	
Full product code	871829168092500
Order product name	LRI1663/00 ActiLume gen2 Multi-Sensor
EAN/UPC - Product	8718291680925
Order code	913700356703
Numerator - Quantity Per Pack	1

Numerator - Packs per outer box	12
Material Nr. (12NC)	913700356703
Net Weight (Piece)	28.000 g

Dimensional drawing



LRI1663/00 ActiLume gen2 Multi-Sensor