

ActiLume 1-10V

LRI1655/06 ActiLume 1-10V Sensor 100cm D

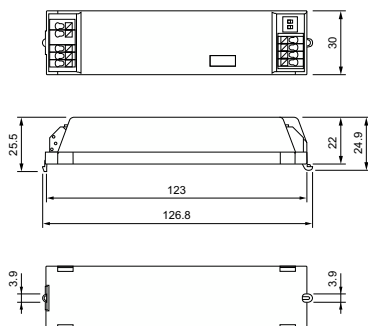
The ActiLume 1-10 V system consists of a sensor and a SwitchBox (controller) designed for easy integration into luminaires. The sensor can work independently of the SwitchBox. In combination with the SwitchBox, the luminaire will be switched off when enough daylight is present and/or when no presence is detected. The ActiLume 1-10 V luminaire-based sensor enables daylight regulation and dimming when no presence is detected. The delay time can be customized between 1 and 30 minutes.

Product data

Product Data	
Order product name	LRI1655/06 ActiLume 1-10V Sensor 100cm D
Full product name	LRI1655/06 ActiLume 1-10V Sensor 100cm D
Full product code	871829174097100
Order code	913700359903
Material Nr. (12NC)	913700359903

Numerator - Quantity Per Pack	1
EAN/UPC - Product/Case	8718291740971
Numerator - Packs per outer box	12
EAN/UPC - Case	8718291740988

Dimensional drawing



Product
LRI1655/06 ActiLume 1-10V Sensor 100cm D