



OccuSwitch Wireless

LRH1765/00 IP65 Holder OS W C-C-W Sensor

The OccuSwitch Wireless family consists of wireless sensors and an actuator (relay-box). Savings of up to 30% can be achieved by simply turning off the lights in unoccupied areas. Battery-operated, with a typical lifetime of 8-10 years. The actuator can switch any load up to 6 A and can be located in the ceiling or corridor. Designed to control an area of 20-25 m² but the area can be expanded to 160 m² by adding extra sensors. Up to 10 sensors and/or actuators can be combined in one parallel network. The maximum distance between the sensor and actuator is 10 meters (depending on the application). A detachable mains wiring connector enables easy installation. Separate Wieland and CEE cables are available for even easier, faster and trouble-free installation. With the extended scope of OccuSwitch Wireless functionality (increased number of sensors and interoperable with wireless ActiLume range), all wireless devices should be from the same version (LRM/LRA/LLC XXXX/10 or higher).

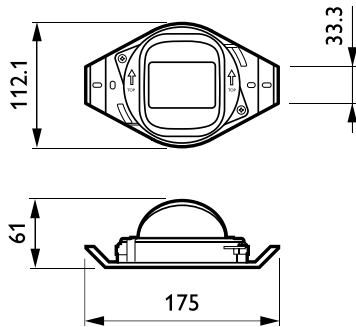
Product data

Product Data	
Order product name	LRH1765/00 IP65 Holder OS W C-C-W Sensor
Full product name	LRH1765/00 IP65 Holder OS W C-C-W Sensor
Full product code	871829174813700
Order code	913700360103
Material Nr. (12NC)	913700360103

Numerator - Quantity Per Pack	1
EAN/UPC - Product/Case	8718291748137
Numerator - Packs per outer box	6
EAN/UPC - Case	8718291748144

OccuSwitch Wireless

Dimensional drawing



Product

LRH1765/00 IP65 Holder OS W C-C-W Sensor

