



HF-Matchbox Blue

HF-M BLUE 124 LH TL/TL5/PL-L 230-240V

HF-Matchbox Blue is an affordable, reliable, compact, lightweight and high-frequency ballast for use with system wattages below 25 W in combination with TL mini, TL-D, TL5 and TL5c, PL-T/C, and PL-L/S lamps. The HF-M Blue range has a robust design, meets all relevant international safety and performance standards and has an energy efficiency index (CELMA EEI) of A2.;The ballast is primarily designed for Indoor application. For outdoor application, the luminaire should be minimum Classland need to be sufficiently protected against water & dust. The installation should also be guard against any lightening surge or any other necessary electrical protection as deemed in such typical installation & application.

Product data

General Information	
Lamp Type	TL/TL5/PL-L
Number of Lamps	1 piece/unit
Number of Products on MCB (16A Type B) (Nom)	60
Automatic Restart	Yes
Operating and Electrical	
Input Voltage	230 to 240 V
Input Frequency	50 to 60 Hz
Power Factor 100% Load (Nom)	0.64
Ignition Time (Max)	0.5 s
Mains Voltage Performance (AC)	-8%~+6%
Mains Voltage Safety (AC)	-10%~+10%
Power Losses (Nom)	1.8-2.1 W
Wiring	
Connector Type Input Terminals	Insert

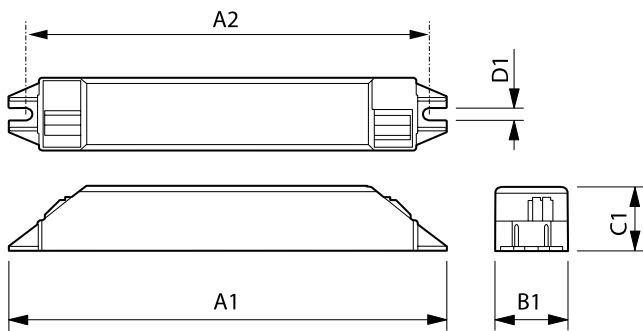
Color Input Terminals	Orange
Color Output Terminals	Grey
Connector Type Output Terminals	Insert
Cable Length From Device to Lamp	1.50 m
Cable Length Hot Wiring	0.30 m
Wire Striplength	8.0-9.0 mm
Input Terminal Cross Section	0.50-1.50 mm ²
Output Terminal Cross Section	0.50-1.50 mm ²
System characteristics	
Rated Ballast-Lamp Power	24 W
Temperature	
T-Ambient (Max)	40 °C
T-Ambient (Min)	-10 °C
T-Case Maximum (Max)	75 °C

HF-Matchbox Blue

Mechanical and Housing	
Housing	LH
Emergency Operation	
Battery Voltage Lamp Ignition	194-254 V
Approval and Application	
IP Classification	IP 20 [Ingress Protection 20]
Approval Marks	F-Marking CE marking VDE certificate CB Certificate
Product Data	
Full product code	871150053640230

Order product name	HF-M BLUE 124 LH TL/TL5/PL-L 230-240V
EAN/UPC - Product	8711500536402
Order code	913700418066
Numerator - Quantity Per Pack	1
Numerator - Packs per outer box	50
Material Nr. (12NC)	913700418066
Net Weight (Piece)	0.045 kg

Dimensional drawing



HF-M BLUE 124 LH TL/TL5/PL-L 230-240V

Product	A1	A2	B1	C1	D1
HF-M BLUE 124 LH TL/TL5/PL-L 230-240V	187 mm	180 mm	22 mm	22 mm	4.4 mm

