



# HF-Matchbox Blue

## HF-M BLUE 121 LH TL5 230-240V

Compact, lightweight, High Frequency electronic ballast for TL (4-18W), TL5 (14-28W) and compact fluorescent PL (5-24W) lamps

### Product data

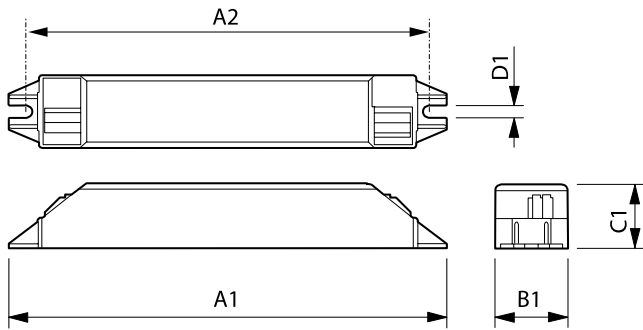
General Information		Output Terminal Cross Section	
Lamp Type	TL5		0.50-1.50 mm <sup>2</sup>
Number of Lamps	1 piece/unit	System characteristics	
Number of Products on MCB (16A Type B) (Nom)	59	Rated Ballast-Lamp Power	21 W
Automatic Restart	Yes	Temperature	
Operating and Electrical		T-Ambient (Max)	40 °C
Input Voltage	230 to 240 V	T-Ambient (Min)	-10 °C
Input Frequency	50 to 60 Hz	T-Case Maximum (Max)	75 °C
Power Factor 100% Load (Nom)	0.64	Mechanical and Housing	
Ignition Time (Max)	0.5 s	Housing	LH
Mains Voltage Performance (AC)	-8%~+6%	Emergency Operation	
Mains Voltage Safety (AC)	-10%~+10%	Battery Voltage Lamp Ignition	194-254 V
Power Losses (Nom)	2.4 W	Approval and Application	
Wiring		IP Classification	IP 20 [ Ingress Protection 20]
Connector Type Input Terminals	Insert	Approval Marks	F-Marking CE marking VDE certificate CB Certificate
Color Input Terminals	Grey	Product Data	
Color Output Terminals	Grey	Full product code	871150053646430
Connector Type Output Terminals	Insert	Order product name	HF-M BLUE 121 LH TL5 230-240V
Cable Length From Device to Lamp	1.50 m	EAN/UPC - Product	8711500536464
Cable Length Hot Wiring	0.30 m		
Wire Striplength	8.0-9.0 mm		
Input Terminal Cross Section	0.50-1.50 mm <sup>2</sup>		

## HF-Matchbox Blue

Order code	53646430
Numerator - Quantity Per Pack	1
Numerator - Packs per outer box	50
Material Nr. (12NC)	913700418366

Net Weight (Piece)	0.043 kg
--------------------	----------

### Dimensional drawing



HF-M BLUE 121 LH TL5 230-240V

Product	A1	A2	B1	C1	D1
HF-M BLUE 121 LH TL5 230-240V	187 mm	180 mm	22 mm	22 mm	4.4 mm

