



HF-Matchbox Blue

HF-M BLUE 121 LH TL5 230-240V

HF-Matchbox Blue is an affordable, reliable, compact, lightweight and high-frequency ballast for use with system wattages below 25 W in combination with TL mini, TL-D, TL5 and TL5c, PL-T/C, and PL-L/S lamps. The HF-M Blue range has a robust design, meets all relevant international safety and performance standards and has an energy efficiency index (CELMA EEI) of A2.

Product data

General Information	
Lamp type	TL5
Number of lamps	1 piece/unit
Number of products on MCB (16 A type B) (nom.)	59
Automatic restart	Yes
Operating and Electrical	
Input voltage	230 to 240 V
Input frequency	50 to 60 Hz
Power factor 100% load (nom.)	0.64
Ignition time (max.)	0.5 s
Mains voltage performance (AC)	-8%~+6%
Mains voltage safety (AC)	-10%~+10%
Power losses (nom.)	2.4 W
Wiring	
Connector type input terminals	Insert
Colour input terminals	Grey
Colour output terminals	Grey
Connector type output terminals	Insert
Cable length from device to lamp	1.50 m

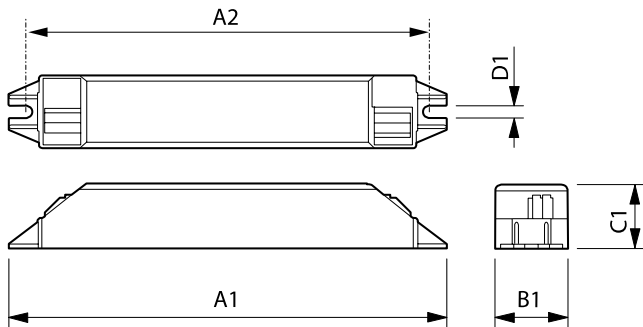
Cable length hot-wiring	0.30 m
Wire strip length	8.0-9.0 mm
Input terminal cross section	0.50-1.50 mm ²
Output terminal cross section	0.50-1.50 mm ²
System characteristics	
Rated ballast-lamp power	21 W
Temperature	
T ambient (max.)	40 °C
T ambient (min.)	-10 °C
T-Case maximum (max.)	75 °C
Mechanical and Housing	
Housing	LH
Emergency Operation	
Battery voltage lamp ignition	194-254 V
Approval and Application	
IP classification	IP 20 [Ingress Protection 20]

HF-Matchbox Blue

Approval marks	F-Marking CE marking VDE certificate CB Certificate
Product Data	
Full product code	871150053646430
Order product name	HF-M BLUE 121 LH TL5 230-240V
EAN/UPC – product	8711500536464
Order code	53646430

Local Code	HFMBLUE121LH
Numerator – quantity per pack	1
Numerator – packs per outer box	50
Material no. (12NC)	913700418366
Net weight (piece)	0.043 kg

Dimensional drawing



HF-M BLUE 121 LH TL5 230-240V

Product	A1	A2	B1	C1	D1
HF-M BLUE 121 LH TL5 230-240V	187 mm	180 mm	22 mm	22 mm	4.4 mm

