

HF-Matchbox Blue

HF-M BLUE 128 LH TL5 230-240V

Compact, lightweight, High Frequency electronic ballast for TL (4-18W), TL5 (14-28W) and compact fluorescent PL (5-24W) lamps

Product data

General Information	
Lamp Type	TL5
Number of Lamps	1 piece/unit
Automatic Restart	Yes

Operating and Electrical	
Input Voltage	230 to 240 V
Input Frequency	50 to 60 Hz
Power Factor 100% Load (Nom)	0.63
Ignition Time (Max)	0.5 s
Mains Voltage Performance (AC)	-8%~+6%
Mains Voltage Safety (AC)	-10%~+10%
Power Losses (Nom)	4.5 W

Wiring	
Connector Type Input Terminals	Insert
Color Input Terminals	Blue
Color Output Terminals	Grey
Connector Type Output Terminals	Insert
Cable Length From Device to Lamp	1.5 m
Cable Length Hot Wiring	0.3 m
Wire Striplength	8.0-9.0 mm
Input Terminal Cross Section	0.50-1.50 mm ²
Output Terminal Cross Section	0.50-1.50 mm ²

System characteristics	
Rated Ballast-Lamp Power	28 W
Rated Lamp Power on TL5	28 W
System Power on TL5	24.1 W
Lamp Power on TL5	19.6 W
Power Loss on TL5	4.5 W

Temperature	
T-Ambient (Max)	40 °C
T-Ambient (Min)	-10 °C
T-Case Maximum (Max)	75 °C

Mechanical and Housing	
Housing	LH

Emergency Operation	
Battery Voltage Lamp Ignition	194-254 V

Approval and Application	
IP Classification	IP 20 [Ingress Protection 20]
Approval Marks	F-Marking CE marking VDE certificate CB Certificate

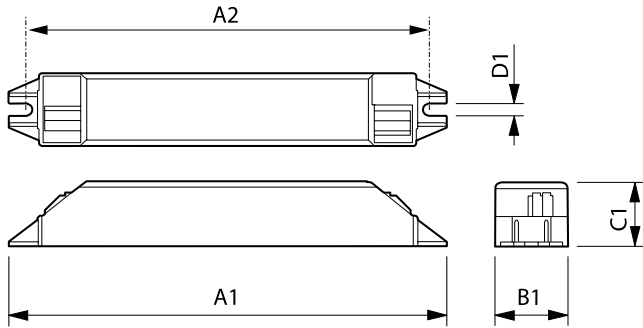
Product Data	
Full product code	871150093243330
Order product name	HF-M BLUE 128 LH TL5 230-240V

HF-Matchbox Blue

EAN/UPC - Product	8711500932433
Order code	93243330
Numerator - Quantity Per Pack	1
Numerator - Packs per outer box	50

Material Nr. (12NC)	913700419966
Net Weight (Piece)	0.047 kg

Dimensional drawing



HF-M BLUE 128 LH TL5 230-240V

Product	A1	A2	B1	C1	D1
HF-M BLUE 128 LH TL5 230-240V	187 mm	180 mm	22 mm	22 mm	4.4 mm

