

HF-Matchbox Blue

HF-M BLUE 128 LH TL5 230-240V

HF-Matchbox Blue is an affordable, reliable, compact, lightweight and high-frequency ballast for use with system wattages below 25 W in combination with TL mini, TL-D, TL5 and TL5c, PL-T/C, and PL-L/S lamps. The HF-M Blue range has a robust design, meets all relevant international safety and performance standards and has an energy efficiency index (CELMA EEI) of A2. The ballast is primarily designed for Indoor application. For outdoor application, the luminaire should be minimum Classland need to be sufficiently protected against water & dust. The installation should also be guard against any lightening surge or any other necessary electrical protection as deemed in such typical installation & application.

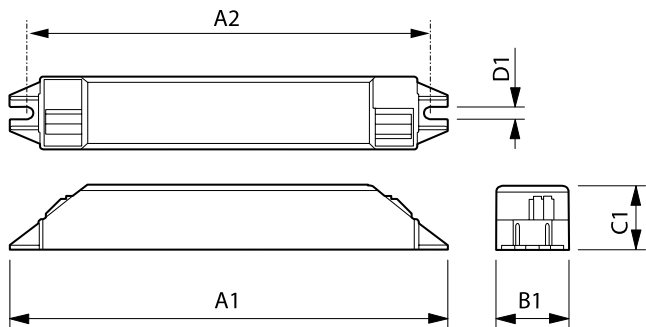
Product data

Operating and Electrical	
Input Voltage	230 to 240 V
Line Frequency	50 to 60 Hz
Input Frequency	50 to 60 Hz
Wiring	
Connector Type Input Terminals	Insert
Color Input Terminals	Blue
Color Output Terminals	Grey
Connector Type Output Terminals	Insert
Cable Length From Device to Lamp	1.5 m
Temperature	
Ambient temperature range	-10 °C to 40 °C
T-Case Maximum (Max)	75 °C
Mechanical and Housing	
Housing	LH

Approval and Application	
Ingress protection code	IP20 [Finger-protected]
Approval Marks	F-Marking CE marking VDE certificate CB Certificate
Product Data	
Order product name	HF-M BLUE 128 LH TL5 230-240V
Full product name	HF-M BLUE 128 LH TL5 230-240V
Full product code	871150093243330
Order code	913700419966
Material Nr. (12NC)	913700419966
Numerator - Quantity Per Pack	1
EAN/UPC - Product/Case	8711500932433
Numerator - Packs per outer box	50
EAN/UPC - Case	8711500932457

HF-Matchbox Blue

Dimensional drawing



Product	A1	A2	B1	C1	D1
HF-M BLUE 128 LH TL5 230-240V	187 mm	180 mm	22 mm	22 mm	4.4 mm

Product
HF-M BLUE 128 LH TL5 230-240V

