



Core & Coil (71A) LPS

The basic ballast is the open core and coil which is most often used as a component within a lighting luminaire. The core and coil also forms the nucleus of Philips Advance's five other ballast configurations.

Product data

General Information	
ANSI Code	L74
Lamp type	180W LPS
Number of lamps	1 piece/unit
Circuit type	HX-HPF
Ballast type	Magnetic HID
Base model	71A07F0
Core size	4 1/4 x 5 3/4 (2 coil)
Suitable for outdoor use	Yes
Capacitor value	16 MFD
Capacitor catalogue number	7C160P40
Capacitor requirements	330V
Capacitor temperature rating	105°C
Capacitor diameter/oval dimensions	1.75 in
Capacitor height	3.75 in
Automatic restart	No
Operating and Electrical	
Input voltage	347/480 V
Input frequency	60 Hz
Input current (open circuit)	1.82/1.33 A
Input current (starting)	0.76/0.54 A
Input current (short circuit)	0.26-0.4/0.19-0.29 A
Secondary short-circuit current	0.96-1.17 A
Constant wattage deviation	10%
Ballast factor (nom.)	1
Power factor (nom.)	0.90

Open circuit voltage	690 V
Input current (nom.)	0.62/0.45 A A
Input power (nom.)	213 W
Rated lamp power	180 W
Wiring	
Wire strip length	0.5 mm
Wire length by colour	12"
Wire type	Stranded
Remote wiring configuration allowed	Yes
Max. ballast-lamp distance remote wiring	Determined by AWG used
Recommended fuse value	5/4 A

Approval and Application	
Open circuit voltage test (volts)	620-755 V
Approval marks	ULR CSA certificate RoHS Compliant
Temperature marking	A/A
UL recognised	Yes
Hipot test (1 minute)	2000 V
Hipot test (2 seconds)	2500 V
UL insulation class	H(180°C)
UL temperature code	1029A

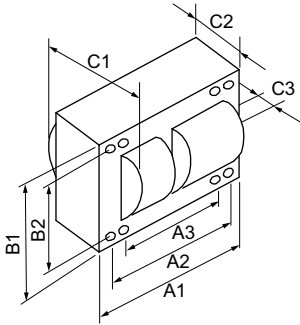
Product Data	
Order product name	CORE & COIL HID LPS BAL 135/180W L73/74 347/480V C&C
EAN/UPC – product	781087119907

Core & Coil (71A) LPS

Numerator – quantity per pack	1
Numerator – packs per outer box	3
Material no. (12NC)	913700502121

Net weight (piece)	7.009 kg
--------------------	----------

Dimensional drawing



Product	C1	C2	A1	A2	A3	B1	B2	C3
CORE & COIL HID LPS BAL 135/180W L73/74 347/480V C&C	4 in	2.35 in	5.8 in	5.4 in	4.4 in	4.3 in	3.9 in	1.3 in

LPS BAL 135/180W L73/74 347/480V C&C

