



# Mark 7 0-10V

The Mark 7 0–10V series of dimmable electronic ballasts offer maximum versatility by incorporating separate control leads for use with a wide array of controllers, including occupancy sensors, daylight harvesting controls, and building management systems from more than 40 manufacturers. When paired with linear fluorescent and 4-pin compact fluorescent lamps, these ballasts optimize the benefits of such popular sustainable lighting techniques as daylight harvesting, occupancy sensing, and load shedding to satisfy the need for an affordable, flexible and versatile controllable lighting solution.

## Product data

General Information	
Lamp type	F32T8
Number of lamps	1 piece/unit
Ballast type	Dimmable Fluorescent
Base model	IZT132SC
Suitable for outdoor use	Yes
Automatic restart	Yes
Operating and Electrical	
Input voltage	120 to 277 V
Input frequency	50 to 60 Hz
Total harmonic distortion USA	10 %
Ignition method	Programmed Start
Crest factor (nom.)	1.6
Ignition time (nom.)	1.5 s
Ballast factor (max.)	1
Ballast factor (min.)	0.05
Power factor (nom.)	0.99
Input current (max.)	0.29 A
Input current (min.)	0.13 A
Input power (max.)	35 W
Input power (min.)	8 W

Rated lamp power	32 W
Wiring	
Colour input terminals	No terminals
Colour output terminals	No terminals
Wire strip length	0.50/0.375 mm
Control wire gauge	18AWG
Lamp connection	Series
Wire length by colour	See data sheet
Wire gauge (nom.)	18AWG mm
Wire type	Solid
Remote wiring configuration allowed	Yes
Tandem wiring configuration allowed	No
Through-wiring configuration allowed	No
Max. ballast-lamp distance remote wiring	6'
Max. ballast-lamp distance tandem wiring	NA
Max. ballast-lamp distance through-wiring	NA
Connector type	No connector
Temperature	
T-Case maximum (nom.)	70 °C

## Mark 7 0-10V

### Mechanical and Housing

Housing material	Metal
Housing	SC
Housing dimensions	9.5" x 1.7" x 1.18"

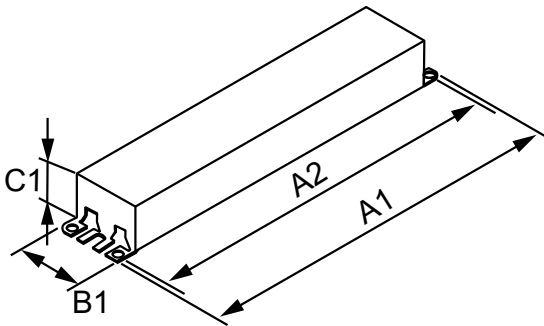
### Approval and Application

EMC immunity standard	FCC Consumer
Approval marks	CSA certificate UL certificate CEC Listing CEE Rated NEMA Premium RoHS Compliant
Humming and noise level	A
UL recognised	No

### Product Data

Order product name	MARK 7 0-10V ELE DIMMING BALLAST (1) F32T8 120-277V
EAN/UPC – product	781087027790
Numerator – quantity per pack	1
Numerator – packs per outer box	20
Material no. (12NC)	913700509351
Net weight (piece)	422.000 g

### Dimensional drawing



ELE DIMMING BALLAST (1) F32T8 120-277V

Product	A1	A2	B1	C1
MARK 7 0-10V ELE DIMMING BALLAST (1) F32T8 120-277V	9.5 in	8.90 in	1.7 in	1.18 in

