



# HF-Regulator II for TL-D lamps

## HF-R 136 TL-D EII 220-240V 50/60Hz

Flat, lightweight high-frequency electronic regulating ballast, using 1-10V protocol for TL-D fluorescent lamps

### Product data

General Information	
Application Code	EII
Type Version	mk2
Lamp Type	TL-D
Number of Lamps	1 piece/unit
Number of Products on MCB (16A Type B) (Nom)	28
Automatic Restart	Yes
Operating and Electrical	
Input Voltage	220 to 240 V
Input Frequency	50 to 60 Hz
Operating Frequency (Max)	89 kHz
Operating Frequency (Min)	45 kHz
Ignition Method	Programmed Start
Crestfactor (Max)	1.7
Power Factor 100% Load (Nom)	0.95
Ignition Time (Max)	0.2 s
Mains Voltage Performance (AC)	-8%+6%
Mains Voltage Safety (AC)	-10%+10%
Earth Leakage Current (Max)	0.5 mA
Inrush Current Width	0.25 ms

Power Losses (Nom)	5.5 W
Inrush Current Peak (Max)	27 A
Wiring	
Connector Type Input Terminals	WAGO 251 universal connector [ Suitable for both automatic wiring (ALF and ADS) and manual wiring]
Connector Type Output Terminals	WAGO 251 universal connector [ Suitable for both automatic wiring (ALF and ADS) and manual wiring]
Connector Type Control Input Terminals	WAGO 251 universal connector [ Suitable for both automatic wiring (ALF and ADS) and manual wiring]
Wire Striplength	8.0-9.0 mm
Dual Fixture Master/Slave	Not applicable [ Master/Slave oper. not applicable]
Control Input Terminal Cross Section	0.50-1.00 mm <sup>2</sup>
Input Terminal Cross Section	0.50-1.00 mm <sup>2</sup>
Output Terminal Cross Section	0.50-1.00 mm <sup>2</sup>
Auto Insert (ALF/ADS) Wire Cross Section	0.5 mm <sup>2</sup>

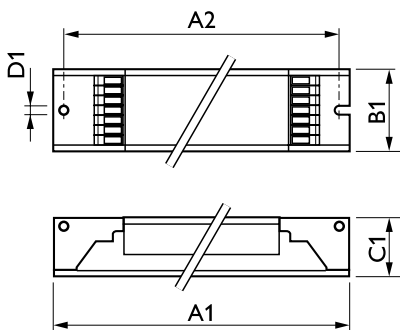
## HF-Regulator II for TL-D lamps

System characteristics	
Rated Ballast-Lamp Power	36 W
Temperature	
T-Ambient (Max)	50 °C
T-Ambient (Min)	10 °C
T-Storage (Max)	80 °C
T-Storage (Min)	-25 °C
Stable Lamp Operation Temperature	Not Specified
T-Ignition (Max)	50 °C
T-Ignition (Min)	0 °C
Controls and Dimming	
Control Interface	1-10V
Regulating Level Power	1%-100%
Control Input Protection	Yes (Basic insulation)
Mechanical and Housing	
Housing	L 360x30x21
Emergency Operation	
Battery Voltage Lamp Ignition	196 V
Battery Voltage Lamp Operation	154-276
Approval and Application	
Energy Efficiency Index	A1 BAT
IP Classification	IP 20 [ Ingress Protection 20]
EMI 9 kHz ... 30 MHz	EN55015

EMI 30 MHz ... 1000 MHz	EN55022 level B
Safety Standard	IEC 61347-2-3
Performance Standard	IEC 60929
Quality Standard	ISO 9000:2000
Environmental Standard	ISO 14001
Harmonic Current Emission Standard	IEC 61000-3-2
EMC Immunity Standard	IEC 61547
Vibration Standard	IEC68-2-6 F c
Bumps Standard	IEC 68-2-29 Eb
Humidity Standard	EN 61347-2-3 clause 11
Approval Marks	CE marking ENEC certificate VDE-EMV certificate
Temperature Marking	Yes
Emergency Standard	IEC 60598-2-22
Hum And Noise Level	Inaudible

Product Data	
Full product code	871150091013430
Order product name	HF-R 136 TL-D EII 220-240V 50/60Hz
EAN/UPC - Product	8711500910134
Order code	91013430
Numerator - Quantity Per Pack	1
Numerator - Packs per outer box	12
Material Nr. (12NC)	913700609266
Net Weight (Piece)	0.260 kg

### Dimensional drawing



HF-R 136 TL-D EII 220-240V 50/60Hz

Product	D1	C1	A1	A2	B1
HF-R 136 TL-D EII 220-240V 50/60Hz	4.2 mm	22 mm	360 mm	350 mm	30 mm

## HF-Regulator II for TL-D lamps

