



PrimaVision Power for CDM

HID-PV C 150 /S CDM 220-240V 50/60Hz

PrimaVision Power gear is designed for optimal performance of 100 and 150 W CDM lamps – ideal where high-intensity light is key.

Product data

General Information	
Lamp type	CDM
Number of lamps	1 piece/unit
Suitable for outdoor use	No
Number of products on MCB (16 A type B) (nom.)	6
Automatic restart	Yes
Operating and Electrical	
Input voltage	220 to 240 V
Input frequency	50 to 60 Hz
Operating frequency (nom.)	0.14 kHz
Power factor 100% load (nom.)	0.95
Ignition voltage (max.)	5.0 kV
Ignition switch-off time (nom.)	20 min
Mains voltage performance (AC)	-10%~+6%
Mains voltage safety (AC)	-18%~+10%
Earth leakage current (max.)	0.35 mA
Inrush current width	.50 ms
Constant wattage deviation	-3%/+3%
Power losses (nom.)	10 W

Inrush current peak (max.)	50 A
Wiring	
Cable capacity output wires mutual (nom.)	200 pF
Cable length from device to lamp	2.0 m
Wire strip length	10.0-11.0 mm
Ballast contact wire cross section	0.50-2.50 mm ²
Connector type	Insert

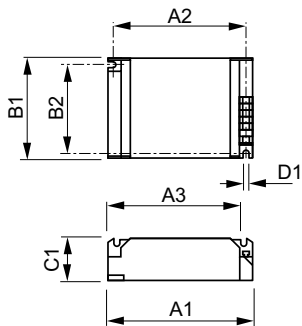
System characteristics	
Rated ballast-lamp power	150 W
Temperature	
T ambient (max.)	60 °C
T ambient (min.)	-20 °C
T storage (max.)	85 °C
T storage (min.)	-25 °C
T case lifetime (nom.)	75 °C
T-Case maximum (max.)	85 °C

PrimaVision Power for CDM

Mechanical and Housing	
Housing	/S
Approval and Application	
Active temperature protection	Yes
EMI 9 kHz... 300 MHz	CISPR 15 ed 7.2
Vibration standard	IEC60068-2-6 F c
Bumps standard	IEC 60068-2-29 Eb
Approval marks	F-Marking CE marking VDE certificate VDE-EMV certificate CB Certificate
Humming and noise level	Inaudible

Product Data	
Full product code	871150091052330
Order product name	HID-PV C 150 /S CDM 220-240V 50/60Hz
EAN/UPC – product	8711500910523
Order code	913700614066
Numerator – quantity per pack	1
Numerator – packs per outer box	12
Material no. (12NC)	913700614066
Net weight (piece)	0.360 kg

Dimensional drawing



HID-PV C 150 /S CDM 220-240V 50/60Hz

Product	D1	C1	A1	A2	B1	B2
HID-PV C 150 /S CDM	4.8 mm	32.0	135.0	123.5	75.0	63.5
220-240V 50/60Hz		mm	mm	mm	mm	mm

