



# HF-Regulator II for TL5 lamps

## HF-R 414 TL5 EII 220-240V 50/60Hz

Flat, lightweight high-frequency electronic regulating ballast, using 1-10V protocol for TL5 fluorescent lamps

### Product data

| Operating and Electrical                       |              |
|--|--------------|
| Input Voltage                                  | 220 to 240 V |
| Line Frequency                                 | 50 to 60 Hz  |
| Input frequency                                | 50 to 60 Hz  |
| Earth leakage current (max.)                   | 0.5 mA       |
| Inrush current width                           | 0.25 ms      |
| Inrush current peak (max.)                     | 27 A         |
| Number of products on MCB (16 A type B) (nom.) | 28           |

| Wiring                          |   |
|---------------------------------|---|
| Connector type input terminals  | WAGO 251 universal connector [Suitable for both automatic wiring (ALF and ADS) and manual wiring] |
| Connector type output terminals | WAGO 251 universal connector [Suitable for both automatic wiring (ALF and ADS) and manual wiring] |

| Temperature               |                 |
|---------------------------|-----------------|
| Ambient temperature range | -20 °C to 50 °C |

| Controls and Dimming |       |
|----------------------|-------|
| Control interface    | 1-10V |

| Mechanical and Housing |             |
|------------------------|-------------|
| Housing                | L 359x39x22 |

| Approval and Application |   |
|--------------------------|---|
| Energy efficiency index  | A1 BAT  |
| Safety standard          | IEC 61347-2-3                                   |
| Environmental standard   | ISO 14001                                       |
| Approval marks           | CE marking ENEC certificate VDE-EMV certificate |

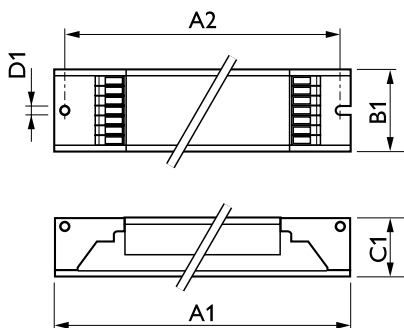
| Product Data                      |                                   |
|-----------------------------------|-----------------------------------|
| Order product name                | HF-R 414 TL5 EII 220-240V 50/60Hz |
| Full product name                 | HF-R 414 TL5 EII 220-240V 50/60Hz |
| Full EOC                          | 871150091364730                   |
| Order code                        | 91364730                          |
| Material no. (12 NC)              | 913700614466                      |
| SAP numerator – quantity per pack | 1                                 |
| EAN/UPC – Product/Case            | 8711500913647                     |
| Numerator – packs per outer box   | 10                                |

# HF-Regulator II for TL5 lamps

EAN/UPC - Case

8711500913654

## Dimensional drawing



| Product                           | D1     | C1    | A1     | A2     | B1    |
|-----------------------------------|--------|-------|--------|--------|-------|
| HF-R 414 TL5 EII 220-240V 50/60Hz | 4.2 mm | 22 mm | 359 mm | 350 mm | 39 mm |

