



EXC for SOX

EXC 66 SOX-E 220-240V 50/60Hz

Electronic drivers for SOX lamps; designed to save energy and reduce maintenance costs

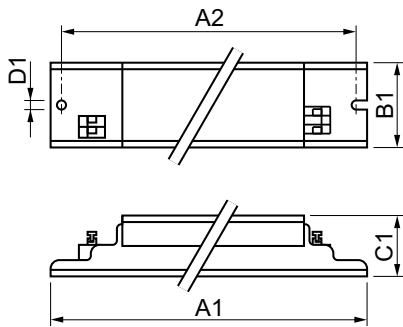
Product data

Operating and Electrical	
Input Voltage	220 to 240 V
Line Frequency	50 to 60 Hz
Input Frequency	50 to 60 Hz
Inrush Current Width	0.15 ms
Input Current (Nom)	0.30 A
Inrush Current Peak (Max)	40 A
Number of Products on MCB (16A Type B) (Nom)	22
Wiring	
Cable Length From Device to Lamp	10 m
Connector Type	Insert
Temperature	
Ambient temperature range	-20 °C to 50 °C
T-Case Lifetime (Nom)	75 °C
Mechanical and Housing	
Housing	L 280x39x28

Approval and Application	
Safety Standard	EN60928, 60926
Environmental Standard	ISO 14001
Approval Marks	CE marking ENEC certificate CB Certificate
Product Data	
Order product name	EXC 66 SOX-E 220-240V 50/60Hz
Full product name	EXC 66 SOX-E 220-240V 50/60Hz
Full product code	871150006244430
Order code	913700621766
Material Nr. (12NC)	913700621766
Numerator - Quantity Per Pack	1
EAN/UPC - Product/Case	8711500062444
Numerator - Packs per outer box	25
EAN/UPC - Case	8711500062451

EXC for SOX

Dimensional drawing



Product	D1	C1	A1	A2	B1
EXC 66 SOX-E 220-240V 50/60Hz	4.2 mm	28.0 mm	280.0 mm	265.0 mm	40.0 mm

