



# HF-Performer Intelligent for TL5 HE/HO lamps

## HF-Pi 1 14/21/24/39 TL5 220-240V

Intelligent, flat, slim, lightweight high-frequency electronic ballast for TL5 fluorescent lamps

### Product data

Operating and Electrical	
Input Voltage	220 to 240 V
Line Frequency	50 to 60 Hz
Input Frequency	50 to 60 Hz
Earth Leakage Current (Max)	0.5 mA
Inrush Current Width	0.35 ms
Inrush Current Peak (Max)	20 A
Number of Products on MCB (16A Type B) (Nom)	18

Wiring	
Connector Type Input Terminals	Insert
Connector Type Output Terminals	Insert

Temperature	
Ambient temperature range	-25 °C to 50 °C
T-Case Lifetime (Nom)	75 °C
T-Case Maximum (Max)	75 °C

Mechanical and Housing	
Housing	L360x30x22

Approval and Application	
Ingress protection code	IP20 [Finger-protected]
Energy Efficiency Index	A2 BAT
Safety Standard	IEC 61347-2-3
Environmental Standard	ISO 14001
Approval Marks	CE marking ENEC certificate VDE-EMV certificate

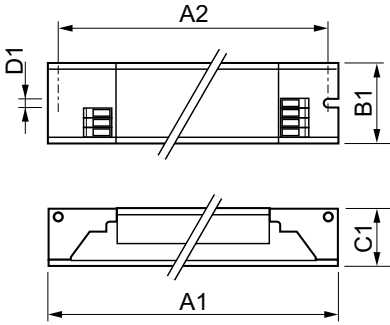
Product Data	
Order product name	HF-Pi 1 14/21/24/39 TL5 EII 220-240V
Full product name	HF-Pi 1 14/21/24/39 TL5 220-240V
Full product code	871150091494130
Order code	91494130
Material Nr. (12NC)	913700624066
Numerator - Quantity Per Pack	1
EAN/UPC - Product/Case	8711500914941
Numerator - Packs per outer box	12

# HF-Performer Intelligent for TL5 HE/HO lamps

EAN/UPC - Case

8711500914958

## Dimensional drawing



Product	D1	C1	A1	A2	B1
HF-Pi 114/21/24/39 TL5 EII 220-240V	4.2 mm	22 mm	360 mm	350 mm	30 mm

