



# HF-Performer Intelligent for TL5 HE/HO lamps

## HF-Pi 1 14/21/24/39 TL5 EII 220-240V

HF-Performer Intelligent is a slim and lightweight high-frequency electronic ballast which makes it possible to exchange TL5 HE and HO lamps of the same length in order to maximize logistical flexibility in luminaire design and handling. With its smart power functionality based on Philips EII technology, HF-Performer Intelligent is optimized for maximum system efficiency (CELMA EEI A2 BAT) in combination with the TL5 and TL5 Eco lamp.

### Product data

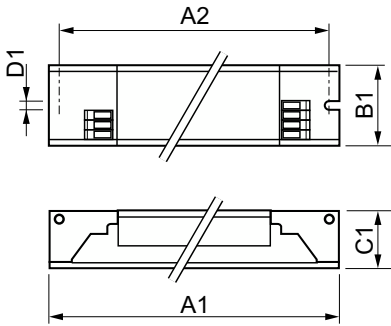
| Operating and Electrical                     |                 | T-Case Lifetime (Nom)           |                                                 | T-Case Maximum (Max) |       |
|----------------------------------------------|-----------------|---------------------------------|-------------------------------------------------|----------------------|-------|
| Input Voltage                                | 220 to 240 V    |                                 | 75 °C                                           |                      | 75 °C |
| Line Frequency                               | 50 to 60 Hz     | <b>Mechanical and Housing</b>   |                                                 |                      |       |
| Input Frequency                              | 50 to 60 Hz     | Housing                         | L360x30x22                                      |                      |       |
| Earth Leakage Current (Max)                  | 0.5 mA          | <b>Approval and Application</b> |                                                 |                      |       |
| Inrush Current Width                         | 0.35 ms         | Ingress protection code         | IP20 [Finger-protected]                         |                      |       |
| Inrush Current Peak (Max)                    | 20 A            | Energy Efficiency Index         | A2 BAT                                          |                      |       |
| Number of Products on MCB (16A Type B) (Nom) | 18              | Safety Standard                 | IEC 61347-2-3                                   |                      |       |
| <b>Wiring</b>                                |                 | Environmental Standard          | ISO 14001                                       |                      |       |
| Connector Type Input Terminals               | Insert          | Approval Marks                  | CE marking ENEC certificate VDE-EMV certificate |                      |       |
| Connector Type Output Terminals              | Insert          | <b>Product Data</b>             |                                                 |                      |       |
| <b>Temperature</b>                           |                 | Order product name              | HF-Pi 1 14/21/24/39 TL5 EII 220-240V            |                      |       |
| Ambient temperature range                    | -25 °C to 50 °C |                                 |                                                 |                      |       |

## HF-Performer Intelligent for TL5 HE/HO lamps

|                               |                                      |
|-------------------------------|--------------------------------------|
| Full product name             | HF-Pi 1 14/21/24/39 TL5 EII 220-240V |
| Full product code             | 871150091494130                      |
| Order code                    | 913700624066                         |
| Material Nr. (12NC)           | 913700624066                         |
| Numerator - Quantity Per Pack | 1                                    |

|                                 |               |
|---------------------------------|---------------|
| EAN/UPC - Product/Case          | 8711500914941 |
| Numerator - Packs per outer box | 12            |
| EAN/UPC - Case                  | 8711500914958 |

### Dimensional drawing



| Product                              | D1     | C1    | A1     | A2     | B1    |
|--------------------------------------|--------|-------|--------|--------|-------|
| HF-Pi 1 14/21/24/39 TL5 EII 220-240V | 4.2 mm | 22 mm | 360 mm | 350 mm | 30 mm |

