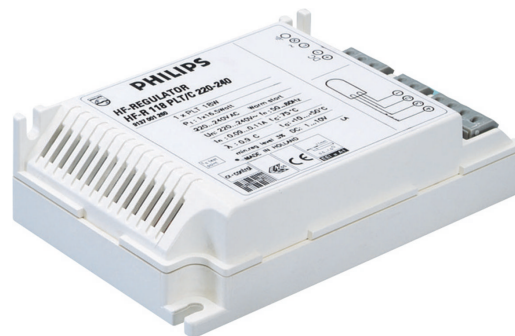


# PHILIPS

# Lighting



## HF-Regulator II for PL-T/C

### HF-R 2 26-42 PL-T/C EII 220-240V 50/60Hz

Compact, lightweight High-Frequency electronic regulating ballast for PL-T and PL-C compact fluorescent lamps

#### Product data

General Information	
Application code	EII
Type version	mk3
Lamp type	PL-T/C
Number of lamps	2 piece/unit
Number of products on MCB (16 A type B) (nom.)	12
Automatic restart	Yes

Operating and Electrical	
Input voltage	220 to 240 V
Input frequency	50 to 60 Hz
Operating frequency (max.)	100 kHz
Operating frequency (min.)	40 kHz
Ignition method	Programmed Start
Crest factor (max.)	1.7
Power factor 100% load (nom.)	0.95
Ignition time (max.)	1.5 s
Mains voltage performance (AC)	-8%+6%
Mains voltage safety (AC)	-10%+10%
Earth leakage current (max.)	0.5 mA
Inrush current width	0.35 ms

Constant wattage deviation	-2%/+2%
Ballast factor (nom.)	0.99
Power losses (nom.)	6.5-7.5 W
Inrush current peak (max.)	45 A

Wiring	
Connector type input terminals	Insert
Cable capacity output wires mutual (nom.)	30 pF
Connector type output terminals	Insert
Connector type control input terminals	Insert
Wire strip length	7.5-8.5 mm
Dual fixture master/slave	Not advisable [ Master/Slave operation not advised]
Control input terminal cross section	0.50-1.50 mm <sup>2</sup>
Input terminal cross section	0.50-1.50 mm <sup>2</sup>
Output terminal cross section	0.50-1.50 mm <sup>2</sup>
Cable capacity output wires to earth (nom.)	75 pF

System characteristics	
Rated ballast-lamp power	26-42 W

## HF-Regulator II for PL-T/C

Temperature	
T ambient (max.)	50 °C
T ambient (min.)	-20 °C
T storage (max.)	80 °C
T storage (min.)	-25 °C
T case lifetime (nom.)	65 °C
T-Case maximum (max.)	75 °C
Stable lamp operation temperature	Not Specified
T-Ignition (max.)	50 °C
T-Ignition (min.)	0 °C

Controls and Dimming	
Control interface	1-10V
Regulating level power	1%-100%
Control input protection	Yes (Basic insulation)

Mechanical and Housing	
Housing	S 123x79x33

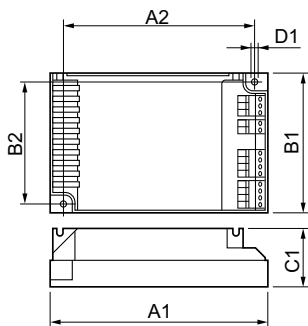
Emergency Operation	
Battery voltage lamp ignition	198-254 V
Battery voltage lamp operation	176-254

Approval and Application	
Energy efficiency index	A1 BAT
IP classification	IP 20 [ Ingress Protection 20]
EMI 9 kHz... 30 MHz	EN55015
EMI 30 MHz... 1,000 MHz	EN55022 level B

Safety standard	IEC 61347-2-3
Performance standard	IEC 60929
Quality standard	ISO 9000:2000
Environmental standard	ISO 14001
Harmonic current emission standard	IEC 61000-3-2
EMC immunity standard	IEC 61547
Vibration standard	IEC68-2-6 F c
Bumps standard	IEC 68-2-29 Eb
Humidity standard	EN 61347-2-3 clause 11
Approval marks	CE marking ENEC certificate VDE-EMV certificate
Temperature marking	Yes
Emergency standard	IEC 60598-2-22
Humming and noise level	Inaudible

Product Data	
Full product code	872790080972500
Order product name	HF-R 2 26-42 PL-T/C EII 220-240V 50/60Hz
EAN/UPC – product	8711500880758
Order code	80972500
Local Code	HFR226-42PLCT
Numerator – quantity per pack	1
Numerator – packs per outer box	12
Material no. (12NC)	913700626566
Net weight (piece)	0.230 kg

### Dimensional drawing



HF-R 2 26-42 PL-T/C EII 220-240V 50/60Hz

Product	D1	C1	A1	A2	B1	B2
HF-R 2 26-42 PL-T/C	4.5 mm	33.0	123.0	111.0	79.0	67.0
EII 220-240V 50/60Hz		mm	mm	mm	mm	mm

## HF-Regulator II for PL-T/C

