

# HF-Regulator II for PL-T/C

## HF-R 1 26-42 PL-T/C EII 220-240V 50/60Hz

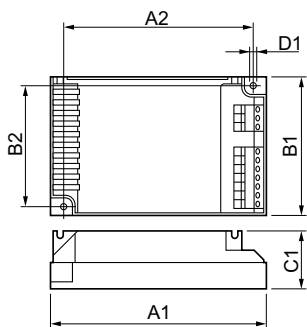
Compact, high-frequency electronic dimming ballast, using the analog protocol (1-10 V) for PL-T, PL-C and PL-R lamps

### Product data

Operating and Electrical		Mechanical and Housing	
Input Voltage	220 to 240 V	Housing	S 123x79x33
Line Frequency	50 to 60 Hz	<b>Approval and Application</b>	
Input Frequency	50 to 60 Hz	Ingress protection code	IP20 [Finger-protected]
Earth Leakage Current (Max)	0.5 mA	Energy Efficiency Index	A1 BAT
Inrush Current Width	0.35 ms	Safety Standard	IEC 61347-2-3
Inrush Current Peak (Max)	27 A	Environmental Standard	ISO 14001
Number of Products on MCB (16A Type B) (Nom)	28	Approval Marks	CE marking ENEC certificate VDE-EMV certificate
<b>Wiring</b>		<b>Product Data</b>	
Connector Type Input Terminals	Insert	Order product name	HF-R 1 26-42 PL-T/C EII 220-240V 50/60Hz
Connector Type Output Terminals	Insert	Full product name	HF-R 1 26-42 PL-T/C EII 220-240V 50/60Hz
<b>Temperature</b>		Full product code	872790080971800
Ambient temperature range	-20 °C to 50 °C	Order code	913700626666
T-Case Lifetime (Nom)	65 °C	Material Nr. (12NC)	913700626666
T-Case Maximum (Max)	75 °C	Numerator - Quantity Per Pack	1
<b>Controls and Dimming</b>		EAN/UPC - Product/Case	8711500880765
Control Interface	1-10V	Numerator - Packs per outer box	12
		EAN/UPC - Case	8727900809718

# HF-Regulator II for PL-T/C

## Dimensional drawing



Product	D1	C1	A1	A2	B1	B2
HF-R 126-42 PL-T/C EII 220-240V 50/60Hz	4.5 mm	33.0 mm	123.0 mm	111.0 mm	79.0 mm	67.0 mm

