



HF-Regulator II for TL-D lamps

HF-R 318 TL-D EII 220-240V 50/60Hz

Flat, lightweight high-frequency electronic regulating ballast, using 1-10V protocol for TL-D fluorescent lamps

Product data

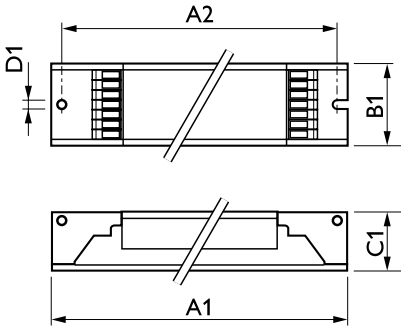
| Operating and Electrical | |
|--|---|
| Input Voltage | 220 to 240 V |
| Line Frequency | 50 to 60 Hz |
| Input frequency | 50 to 60 Hz |
| Earth leakage current (max.) | 0.5 mA |
| Inrush current width | 0.25 ms |
| Inrush current peak (max.) | 27 A |
| Number of products on MCB (16 A type B) (nom.) | 28 |
| Wiring | |
| Connector type input terminals | WAGO 251 universal connector [Suitable for both automatic wiring (ALF and ADS) and manual wiring] |
| Connector type output terminals | WAGO 251 universal connector [Suitable for both automatic wiring (ALF and ADS) and manual wiring] |
| Temperature | |
| Ambient temperature range | -20°C to 50°C |

| Controls and Dimming | |
|-----------------------------------|---|
| Control interface | 1-10V |
| Mechanical and Housing | |
| Housing | L 359x39x22 |
| Approval and Application | |
| Ingress protection code | IP20 [Finger-protected] |
| Energy efficiency index | A1 BAT |
| Safety standard | IEC 61347-2-3 |
| Environmental standard | ISO 14001 |
| Approval marks | CE marking ENEC certificate VDE-EMV certificate |
| Product Data | |
| Order product name | HF-R 318 TL-D EII 220-240V 50/60Hz |
| Full product name | HF-R 318 TL-D EII 220-240V 50/60Hz |
| Full EOC | 871150091376030 |
| Order code | 91376030 |
| Material no. (12 NC) | 913700629566 |
| Local order code | HFR318TLDEII |
| SAP numerator – quantity per pack | 1 |

HF-Regulator II for TL-D lamps

| | |
|---------------------------------|---------------|
| EAN/UPC – Product/Case | 8711500913760 |
| Numerator – packs per outer box | 10 |
| EAN/UPC - Case | 8711500913777 |

Dimensional drawing



| Product | D1 | C1 | A1 | A2 | B1 |
|------------------------------------|--------|-------|--------|--------|-------|
| HF-R 318 TL-D EII 220-240V 50/60Hz | 4.2 mm | 22 mm | 359 mm | 350 mm | 39 mm |

