



# HF-Regulator II for TL5 lamps

## HF-R 324 TL5/PL-L EII 220-240V 50-60HZ

High-frequency electronic dimming ballast, using the analog protocol (1-10 V) for TL5 HE/HO and TL5 Eco lamps

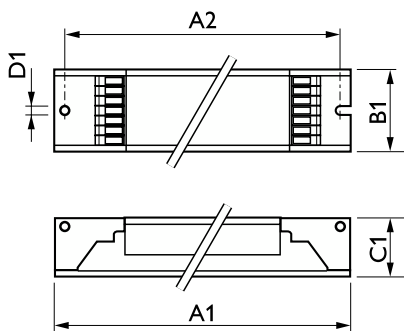
### Product data

Operating and Electrical		Controls and Dimming	
Input Voltage	220 to 240 V	Control Interface	1-10V
Line Frequency	50 to 60 Hz		
Input Frequency	50 to 60 Hz	Mechanical and Housing	
Earth Leakage Current (Max)	0.5 mA	Housing	L 359x39x22
Inrush Current Width	0.40 ms		
Inrush Current Peak (Max)	45 A	Approval and Application	
Number of Products on MCB (16A Type B) (Nom)	12	Ingress protection code	IP20 [Finger-protected]
		Energy Efficiency Index	A1 BAT
		Safety Standard	IEC 61347-2-3
		Environmental Standard	ISO 14001
		Approval Marks	CE marking ENEC certificate VDE-EMV certificate
Wiring		Product Data	
Connector Type Input Terminals	WAGO 251 universal connector [Suitable for both automatic wiring (ALF and ADS) and manual wiring]	Order product name	HF-R 324 TL5/PL-L EII 220-240V 50/60Hz
Connector Type Output Terminals	WAGO 251 universal connector [Suitable for both automatic wiring (ALF and ADS) and manual wiring]	Full product name	HF-R 324 TL5/PL-L EII 220-240V 50-60HZ
		Full product code	871150091370830
		Order code	91370830
		Material Nr. (12NC)	913700629666
		Numerator - Quantity Per Pack	1
		EAN/UPC - Product/Case	8711500913708
Temperature			
Ambient temperature range	-20 °C to 50 °C		

## HF-Regulator II for TL5 lamps

Numerator - Packs per outer box	10
EAN/UPC - Case	8711500913715

### Dimensional drawing



Product	D1	C1	A1	A2	B1
HF-R 324 TL5/PL-L EII 220-240V 50/60Hz	4.2 mm	22 mm	359 mm	350 mm	39 mm

