



AspiraVision Compact for CDM

HID-AV C 70 /I CDM 220-240V 50/60Hz

AspiraVision is the mark of excellence in HID electronic gear technology – high-end, compact, lightweight and easy to use, with added features for optimal performance of 35, 50 and 70 W CDM lamps. The recently added switching function provides maximum flexibility for users by integrating three different wattage choices into a single driver.

Product data

General Information	
Application Code	-
Lamp Type	CDM
Number of Lamps	1 piece/unit
Suitable For Outdoor Use	No
Number of Products on MCB (16A Type B) (Nom)	32
Automatic Restart	Yes
Operating and Electrical	
Input Voltage	220 to 240 V
Input Frequency	50 to 60 Hz
Minimum Mains Voltage Operation (Min)	198 V
Power Factor 100% Load (Nom)	0.95
Ignition Voltage (Max)	5.0 kV
Ignition Voltage (Min)	3.0 kV
Ignition Switch-Off Time (Nom)	19 min
Mains Voltage Performance (AC)	-10%~+6%
Mains Voltage Safety (AC)	-18%~+10%
Earth Leakage Current (Max)	0.25 mA

Output Peak Voltage (Max)	4000 V
Inrush Current Width	10 ms
Lamp Power Tolerance	-3%/+3%
Input Current (Nom)	0.45 A
Inrush Current Peak (Max)	8 A

Wiring

Cable Capacity Output Wires Mutual (Nom)	160 pF
Cable Length From Device to Lamp	2 m
Wire Striplength	10.0-11.0 mm
Ballast Contact Wire Cross Section	0.75-2.50 mm ²
Connector Type	Insert

System characteristics

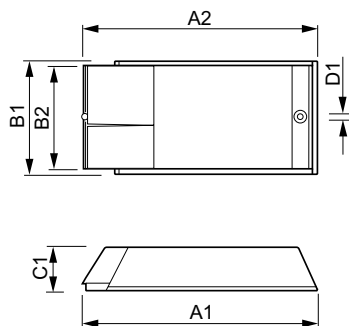
Rated Ballast-Lamp Power	70 W
Rated Lamp Power on CDM	73 W
System Power on CDM	79 W
Lamp Power on CDM	73 W
Power Loss on CDM	6 W

AspiraVision Compact for CDM

Temperature	
T-Ambient (Max)	55 °C
T-Ambient (Min)	-20 °C
T-Storage (Max)	80 °C
T-Storage (Min)	-25 °C
T-Case Lifetime (Nom)	80 °C
T-Case Switch Off (Min)	85 °C
Controls and Dimming	
Control Interface	-
Mechanical and Housing	
Housing	/I
Approval and Application	
Overvoltage Protection 400Vac	5 min
Active Temperature Protection	Yes
EMI 9 kHz ... 300 MHz	CISPR 15 ed 7.2
Vibration Standard	IEC68-2-6 F c

Bumps Standard	IEC 68-2-29 Eb
Humidity Standard	EN 61347-2-3 and 2-1
Approval Marks	F-Marking CE marking ENEC certificate VDE certificate CB Certificate VDE-EMC marking
Hum And Noise Level	20 dB(A)
Product Data	
Full product code	872790088522400
Order product name	HID-AV C 70 /I CDM 220-240V 50/60Hz
EAN/UPC - Product	8711500881649
Order code	913700646666
Numerator - Quantity Per Pack	1
Numerator - Packs per outer box	12
Material Nr. (12NC)	913700646666
Net Weight (Piece)	0.330 kg

Dimensional drawing



HID-AV C 70 /I CDM 220-240V 50/60Hz

Product	D1	C1	A1	A2	B1
HID-AV C 70 /I CDM 220-240V 50/60Hz	4.8 mm	34.5 mm	188 mm	170 mm	82.7 mm

