



HF-Performer III for PL-T/C lamps

HF-P 1/218 PL-T/C III 220-240V 50/60Hz

HF-Performer III PL-T/C is a sustainable, slim and high-frequency electronic ballast for PL-T and PL-C fluorescent lamps. It is ideal for applications where high energy efficiency is required. The HF-Performer III range has a robust design, meets all relevant international safety and performance standards and is energy efficient (CELMA EEI A2).

Product data

Operating and Electrical	
Input Voltage	220 to 240 V
Line Frequency	50 to 60 Hz
Input Frequency	50 to 60 Hz
Inrush Current Width	0.250 ms
Inrush Current Peak (Max)	18 A
Number of Products on MCB (16A Type B) (Nom)	28
Wiring	
Connector Type Input Terminals	Insert
Connector Type Output Terminals	Insert
Cable Length From Device to Lamp	1 m
Temperature	
Ambient temperature range	-25 °C to 50 °C
T-Case Lifetime (Nom)	75 °C
T-Case Maximum (Max)	75 °C

Mechanical and Housing	
Housing	S 103x67x30
Approval and Application	
Ingress protection code	IP20 [Finger-protected]
Energy Efficiency Index	A2 BAT
Safety Standard	IEC 61347-2-3
Environmental Standard	ISO 14001
Approval Marks	CE marking ENEC certificate VDE-EMV certificate

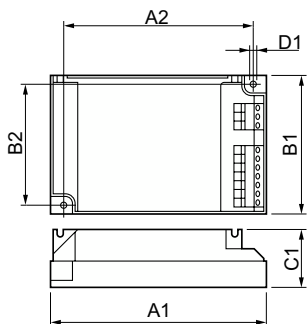
Product Data	
Order product name	HF-P 1/218 PL-T/C III 220-240V
Full product name	HF-P 1/218 PL-T/C III 220-240V 50/60Hz
Full product code	872790083417800
Order code	83417800
Material Nr. (12NC)	913700648666
Numerator - Quantity Per Pack	1
EAN/UPC - Product/Case	8711500881038
Numerator - Packs per outer box	12

HF-Performer III for PL-T/C lamps

EAN/UPC - Case

8727900834178

Dimensional drawing



Product	D1	C1	A1	A2	B1	B2
HF-P 1/218 PL-T/C III 220-240V	4.2 mm	30.0 mm	103.8 mm	93.5 mm	67.8 mm	57.5 mm

