

PrimaVision Compact for CDM

HID-PV C 35 /S CDM 220-240V 50/60Hz

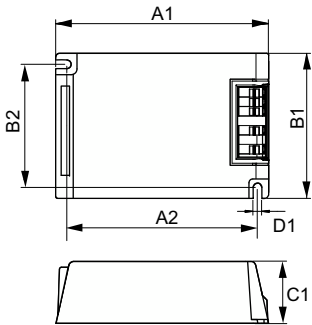
High-quality, compact and lightweight HID electronic gear for optimal and reliable performance of 20, 35, 50 and 70 W CDM lamps

Product data

Operating and Electrical		Approval and Application	
Input Voltage	220 to 240 V	Safety standard	EN 61347-2-12
Line Frequency	50 to 60 Hz	Environmental standard	ISO 14001
Input frequency	50 to 60 Hz	Approval marks	CE marking ENEC certificate
Inrush current width	0.25 ms		
Inrush current peak (max.)	26 A	Product Data	
Number of products on MCB (16 A type B) (nom.)	24	Order product name	HID-PV C 35 /S CDM 220-240V 50/60Hz NG
		Full product name	HID-PV C 35 /S CDM 220-240V 50/60Hz
		Full EOC	872790085962100
		Order code	85962100
		Material no. (12 NC)	913700652766
		Local order code	PVC035SCDM
		SAP numerator – quantity per pack	1
		EAN/UPC – Product/Case	8711500881687
		Numerator – packs per outer box	12
		EAN/UPC - Case	8727900859621
Wiring			
Cable length from device to lamp	1.5 m		
Connector type	Insert		
Temperature			
Ambient temperature range	-20°C to 55°C		
T-case lifetime (nom.)	80 °C		
T-Case maximum (max.)	80 °C		
Mechanical and Housing			
Housing	/S		

PrimaVision Compact for CDM

Dimensional drawing



Product	D1	C1	A1	A2	B1	B2
HID-PV C 35 /S CDM 220-240V 50/60Hz NG	4.9 mm	32.2 mm	109.6 mm	98.5 mm	74.4 mm	63.7 mm

