



# PrimaVision Compact for CDM

## HID-PV C 35 /S CDM 220-240V 50/60Hz NG

High-quality, compact and lightweight HID electronic gear for optimal and reliable performance of 20, 35, 50 and 70 W CDM lamps

### Product data

| General Information                          |              | Inrush Current Peak (Max)                |                           |
|--|--------------|--|---------------------------|
| Type Version                                 | ng           |  | 26 A                      |
| Lamp Type                                    | CDM          | Wiring                                   |                           |
| Number of Lamps                              | 1 piece/unit | Cable Capacity Output Wires Mutual (Nom) | 100 pF                    |
| Suitable For Outdoor Use                     | No           | Cable Length From Device to Lamp         | 1.5 m                     |
| Number of Products on MCB (16A Type B) (Nom) | 24           | Ballast Contact Wire Cross Section       | 0.50-2.50 mm <sup>2</sup> |
| Automatic Restart                            | Yes          | Connector Type                           | Insert                    |
| Operating and Electrical                     |              | System characteristics                   |                           |
| Input Voltage                                | 220 to 240 V | Rated Ballast-Lamp Power                 | 35 W                      |
| Input Frequency                              | 50 to 60 Hz  | Temperature                              |                           |
| Operating Frequency (Nom)                    | 0.14 kHz     | T-Ambient (Max)                          | 55 °C                     |
| Power Factor 100% Load (Nom)                 | 0.95         | T-Ambient (Min)                          | -20 °C                    |
| Ignition Voltage (Max)                       | 4.0 kV       | T-Storage (Max)                          | 80 °C                     |
| Ignition Switch-Off Time (Nom)               | 18 min       | T-Storage (Min)                          | -25 °C                    |
| Mains Voltage Performance (AC)               | -10%+6%      | T-Case Lifetime (Nom)                    | 80 °C                     |
| Mains Voltage Safety (AC)                    | -18%+10%     | T-Case Maximum (Max)                     | 80 °C                     |
| Inrush Current Width                         | 0.25 ms      | Mechanical and Housing                   |                           |
| Constant Wattage Deviation                   | -3%/+3%      | Housing                                  | /S                        |
| Power Losses (Nom)                           | 4.5 W        |  |                           |

# PrimaVision Compact for CDM

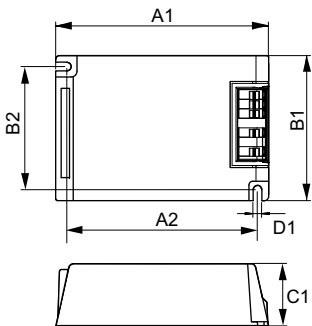
## Approval and Application

|                                    |                             |
|------------------------------------|-----------------------------|
| Active Temperature Protection      | Yes                         |
| EMI 9 kHz ... 300 MHz              | CISPR 15 ed 7.2             |
| Safety Standard                    | EN 61347-2-12               |
| Quality Standard                   | ISO 9000:2000               |
| Environmental Standard             | ISO 14001                   |
| Harmonic Current Emission Standard | EN 61000-3-2                |
| EMC Immunity Standard              | EN 61547                    |
| Vibration Standard                 | IEC68-2-6 F c               |
| Bumps Standard                     | IEC 68-2-29 Eb              |
| Humidity Standard                  | IEC 928-13                  |
| Approval Marks                     | CE marking ENEC certificate |
| Hum And Noise Level                | 37 dB(A)                    |

## Product Data

|                                 |   |
|---------------------------------|---|
| Full product code               | 872790085962100                           |
| Order product name              | HID-PV C 35 /S CDM 220-240V<br>50/60Hz NG |
| EAN/UPC - Product               | 8711500881687                             |
| Order code                      | 913700652766                              |
| Numerator - Quantity Per Pack   | 1   |
| Numerator - Packs per outer box | 12  |
| Material Nr. (12NC)             | 913700652766                              |
| Net Weight (Piece)              | 0.216 kg                                  |

## Dimensional drawing



HID-PV C 35 /S CDM 220-240V 50/60Hz NG

| Product             | D1     | C1   | A1    | A2   | B1   | B2   |
|---------------------|--------|------|-------|------|------|------|
| HID-PV C 35 /S CDM  | 4.9 mm | 32.2 | 109.6 | 98.5 | 74.4 | 63.7 |
| 220-240V 50/60Hz NG |        | mm   | mm    | mm   | mm   | mm   |

