

PrimaVision Compact for CDM

HID-PV C 35 /I CDM 220-240V 50/60Hz

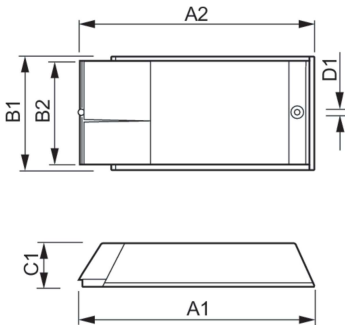
High-quality, compact and lightweight HID electronic gear for optimal and reliable performance of 20, 35, 50 and 70 W CDM lamps

Product data

Operating and Electrical		Approval and Application	
Input Voltage	220 to 240 V	Safety Standard	EN 61347-2-12
Line Frequency	50 to 60 Hz	Environmental Standard	ISO 14001
Input Frequency	50 to 60 Hz	Approval Marks	CE marking ENEC certificate
Earth Leakage Current (Max)	0.25 mA	Product Data	
Inrush Current Width	0.25 ms	Order product name	HID-PV C 35 /I CDM 220-240V 50/60Hz
Inrush Current Peak (Max)	26 A		NG
Number of Products on MCB (16A Type B) (Nom)	24	Full product name	HID-PV C 35 /I CDM 220-240V 50/60Hz
Wiring		Full product code	872790085973700
Cable Length From Device to Lamp	2.0 m	Order code	85973700
Connector Type	Insert	Material Nr. (12NC)	913700653166
Temperature		Numerator - Quantity Per Pack	1
Ambient temperature range	-20 °C to 50 °C	EAN/UPC - Product/Case	8711500881700
T-Case Lifetime (Nom)	75 °C	Numerator - Packs per outer box	12
T-Case Maximum (Max)	75 °C	EAN/UPC - Case	8727900859737
Mechanical and Housing			
Housing	/I		

PrimaVision Compact for CDM

Dimensional drawing



Product	D1	C1	A1	A2	B1
HID-PV C 35 /I CDM 220-240V 50/60Hz NG	4.8 mm	34.5 mm	188.0 mm	170.0 mm	82.7 mm

