

PrimaVision Compact for CDM

HID-PV C 35 /I CDM 220-240V 50/60Hz NG

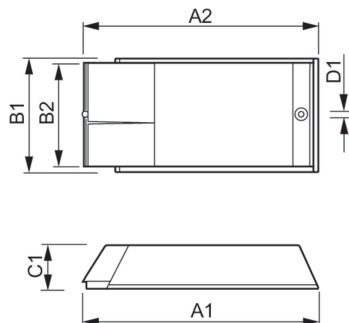
High-quality, compact and lightweight HID electronic gear for optimal and reliable performance of 20, 35, 50 and 70 W CDM lamps

Product data

| Operating and Electrical | | Approval and Application | |
|--|-----------------|---------------------------------|--|
| Input Voltage | 220 to 240 V | Safety Standard | EN 61347-2-12 |
| Line Frequency | 50 to 60 Hz | Environmental Standard | ISO 14001 |
| Input Frequency | 50 to 60 Hz | Approval Marks | CE marking ENEC certificate |
| Earth Leakage Current (Max) | 0.25 mA | | |
| Inrush Current Width | 0.25 ms | Product Data | |
| Inrush Current Peak (Max) | 26 A | Order product name | HID-PV C 35 /I CDM 220-240V 50/60Hz NG |
| Number of Products on MCB (16A Type B) (Nom) | 24 | Full product name | HID-PV C 35 /I CDM 220-240V 50/60Hz NG |
| | | Full product code | 872790085973700 |
| | | Order code | 913700653166 |
| | | Material Nr. (12NC) | 913700653166 |
| | | Numerator - Quantity Per Pack | 1 |
| | | EAN/UPC - Product/Case | 8711500881700 |
| | | Numerator - Packs per outer box | 12 |
| | | EAN/UPC - Case | 8727900859737 |
| Wiring | | | |
| Cable Length From Device to Lamp | 2.0 m | | |
| Connector Type | Insert | | |
| Temperature | | | |
| Ambient temperature range | -20 °C to 50 °C | | |
| T-Case Lifetime (Nom) | 75 °C | | |
| T-Case Maximum (Max) | 75 °C | | |
| Mechanical and Housing | | | |
| Housing | /I | | |

PrimaVision Compact for CDM

Dimensional drawing



| Product | D1 | C1 | A1 | A2 | B1 |
|---|--------|---------|----------|----------|---------|
| HID-PV C 35 /I CDM 220-240V 50/60Hz NG | 4.8 mm | 34.5 mm | 188.0 mm | 170.0 mm | 82.7 mm |

