



PrimaVision Compact for CDM

HID-PV C 50 /S CDM 220-240V 50/60Hz

High-quality, compact and lightweight HID electronic gear for optimal and reliable performance of 20, 35, 50 and 70 W CDM lamps

Product data

General Information	
Lamp type	CDM
Number of lamps	1 piece/unit
Suitable for outdoor use	No
Number of products on MCB (16 A type B) (nom.)	24
Automatic restart	Yes
Operating and Electrical	
Input Voltage	220 to 240 V
Input frequency	50 to 60 Hz
Operating frequency (nom.)	0.14 kHz
Power factor 100% load (nom.)	0.95
Ignition voltage (max.)	4.0 kV
Ignition switch-off time (nom.)	18 min
Mains voltage performance (AC)	-10%/+6%
Mains voltage safety (AC)	-18%/+10%
Earth leakage current (max.)	0.25 mA
Inrush current width	0.25 ms
Constant wattage deviation	-3%/+3%
Power losses (nom.)	6 W

Inrush current peak (max.)	26 A
Wiring	
Cable capacity output wires mutual (nom.)	150 pF
Cable length from device to lamp	1.5 m
Wire strip length	10.0-11.0 mm
Ballast contact wire cross section	0.50-2.50 mm ²
Connector type	Insert

System characteristics	
Rated ballast-lamp power	50 W
Temperature	
T-ambient (max.)	55 °C
T-ambient (min.)	-20 °C
T storage (max.)	80 °C
T storage (min.)	-25 °C
T-case lifetime (nom.)	80 °C
T-Case maximum (max.)	80 °C

PrimaVision Compact for CDM

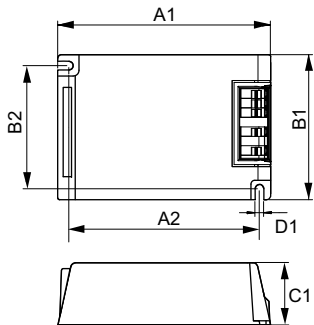
Mechanical and Housing	
Housing	/S

Approval and Application	
IP classification	20
Active temperature protection	Yes
EMI 9 kHz ... 300 MHz	CISPR 15 ed 7.2
Safety standard	IEC 61347-2-3
Quality standard	ISO 9000:2000
Environmental standard	ISO 14001
Harmonic current emission standard	IEC 61000-3-2
EMC immunity standard	IEC 61547
Vibration standard	IEC68-2-6 F c
Bumps standard	IEC 68-2-29 Eb
Humidity standard	IEC 928-13

Approval marks	CE marking ENEC certificate
Humming and noise level	37 dB(A)

Product Data	
Full product code	872790093363500
Order product name	HID-PV C 50 /S CDM 220-240V 50/60Hz
EAN/UPC – product	8727900933635
Order code	93363500
SAP numerator – quantity per pack	1
Numerator – packs per outer box	12
SAP material	913700664966
SAP net weight (piece)	0.240 kg

Dimensional drawing



HID-PV C 50 /S CDM 220-240V 50/60Hz

Product
HID-PV C 50 /S CDM 220-240V 50/60Hz

